

REPLACEMENT PARTS SUITABLE FOR

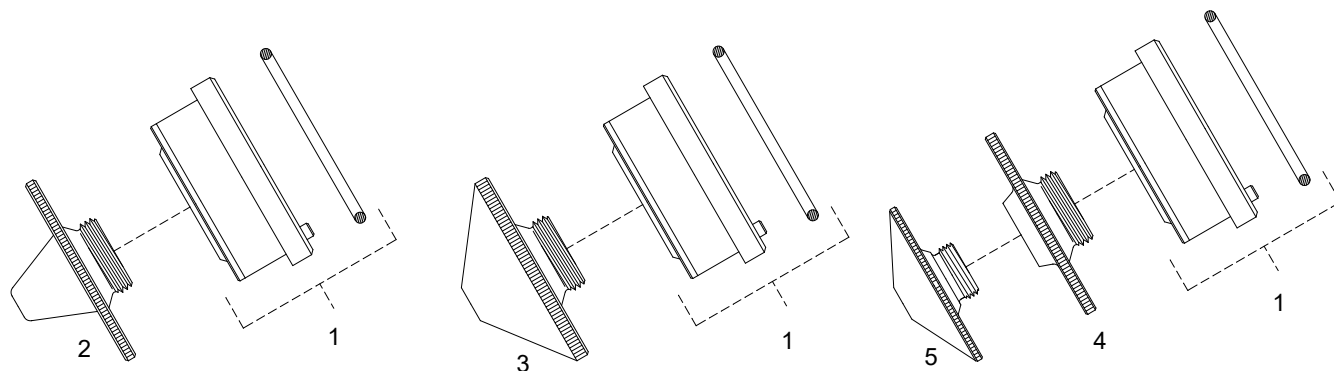
# INDEX

ADIGE SALA® / BLM®	page .....	2
AMADA®	page .....	3 - 9
BALLIU®	page .....	2
BYSTRONIC® FIBER LASER	page .....	10 - 14
CINCINNATI®	page .....	16
CY-LASER® FIBER LASER	page .....	15
CR ELECTRONIC®	page .....	2
ESAB®	page .....	2
FINN-POWER®	page .....	2
GHT®	page .....	2
HANKWANG®	page .....	17 + 18
IGP® / FIBER LASER	page .....	16
LVD®	page.....	19
MAZAK®	page .....	21 - 31
MESSER GRIESHEIM®	page .....	35
MITSUBISHI®	page .....	20 + 38
PRECITEC® / FIBER LASER	page 2+27+36-40	
PRIMA INDUSTRIE®	page .....	32 - 34
SALVAGNINI® / FIBER LASER	page .....	40
TECNIMETAL®	page .....	2
TRUMPF®	page .....	41 - 46
WEIDMÜLLER®	page .....	39

**WE HAVE AVAILABLE ON REQUEST PROTECTIVE WINDOWS  
FOR FIBER LASER SUITABLE FOR  
TRUMPF / PRECITEC / SALVAGNINI / CY-LASER / IGP ETC.**

## REPLACEMENT PARTS SUITABLE FOR

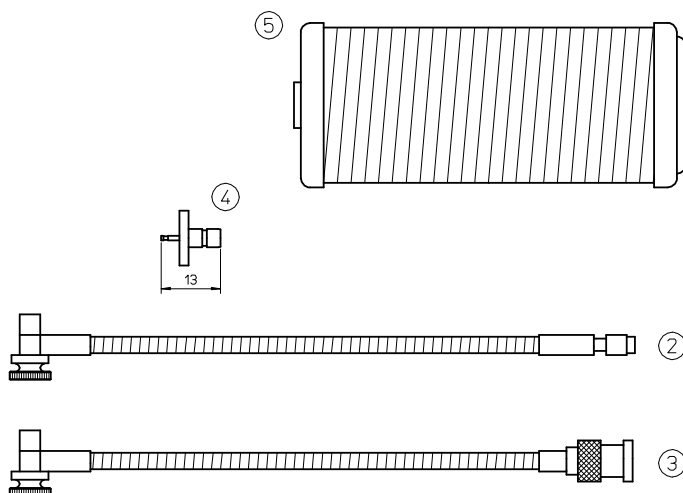
ADIGE SALA® SL 320 ADICUT - ESAB® - GHT® - FINN-POWER® - BALLIU® - TECNIMETAL® - CR Electronic® - PRECITEC® ( HP 1.5" - HP 2" - HP 2"M - HP1.5"Z - HP 2"MZ )


**NOZZLES ARE PACKED IN SINGLE BOXES**

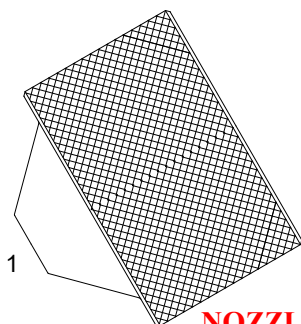
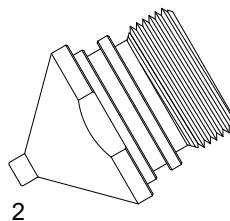
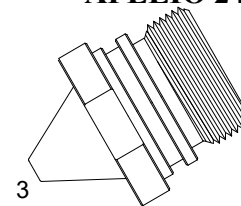
Item	Ref.	Code std.	Euro	Cod. chromed	Euro	Description
-	<b>P0589-360-00001</b>	<b>P0589-360-00001</b>				<b>Protective window <math>\varnothing</math> 22,35mm - Thk= 4mm for FIBER laser</b>
		55750		-----	----	Ceramic suitable CR Electronic®
1	P0571-1051-0001	281330/C				Ceramic part KT B2" <b>original</b> Precitec®
	P0571-1051-0001	000324				Ceramic part KT B2" <b>our production</b>
2	P0591-569-00008	281590		281590/C		Tip $\varnothing$ 0.8 ( HP 0.8 )
	P0591-561-00010	281331		281331/C		Tip $\varnothing$ 1.0 ( HP 1.0 )
	P0591-562-00012	281351		281351/C		Tip $\varnothing$ 1.2 ( HP 1.2 )
	P0591-563-00015	281352		281352/C		Tip $\varnothing$ 1.5 ( HP 1.5 )
	P0591-564-00018	281353		281353/C		Tip $\varnothing$ 1.8 ( HP 1.8 )
	P0591-565-00020	281354		281354/C		Tip $\varnothing$ 2.0 ( HP 2.0 )
		281356		281356/C		Tip $\varnothing$ 2.3 ( HP 2.3 )
	P0591-566-00025	281591		281591/C		Tip $\varnothing$ 2.5 ( HP 2.5 )
		281357		281357/C		Tip $\varnothing$ 3.0 ( HP 3.0 )
3	P0591-571-00010	281548		281548/C		Tip $\varnothing$ 1.0 ( HP 1.0 N )
	P0591-572-00012	281549		281549/C		Tip $\varnothing$ 1.2 ( HP 1.2 N )
	P0591-573-00012	281563		281563/C		Tip $\varnothing$ 1.5 ( HP 1.5 N )
		281563.18		281563.18/C		Tip $\varnothing$ 1.8 ( HP 1.8 N )
	P0591-575-00020	281550		281550/C		Tip $\varnothing$ 2.0 ( HP 2.0 N )
		281554		281554/C		Tip $\varnothing$ 2.3 ( HP 2.3 N )
	281551	281551		281551/C		Tip $\varnothing$ 2.5 ( HP 2.5 N )
		281555		281555/C		Tip $\varnothing$ 3.0 ( HP 3.0 N )
	P0591-002-00010	282510		282510/C		Tip $\varnothing$ 1.0 w/insert
	P0591-002-00012	282512		282512/C		Tip $\varnothing$ 1.2 w/insert
	P0591-002-00015	282515		282515/C		Tip $\varnothing$ 1.5 w/insert
	P0591-002-00018	282518		282518/C		Tip $\varnothing$ 1.8 w/insert
	P0591-002-00020	282520		282520/C		Tip $\varnothing$ 2.0 w/insert
	P0591-002-00023	282523		282523/C		Tip $\varnothing$ 2.3 w/insert
	P0591-002-00025	282525		282525/C		Tip $\varnothing$ 2.5 w/insert
	P0591-002-00030	282530		282530/C		Tip $\varnothing$ 3.0 w/insert
	P0591-002-00035	282535		282535/C		Tip $\varnothing$ 3.5 w/insert
4		281552		-----	-----	Adapter for TRUMPF® tips
5						Trumpf® tips ( see page 48 )

REPLACEMENT PARTS SUITABLE FOR

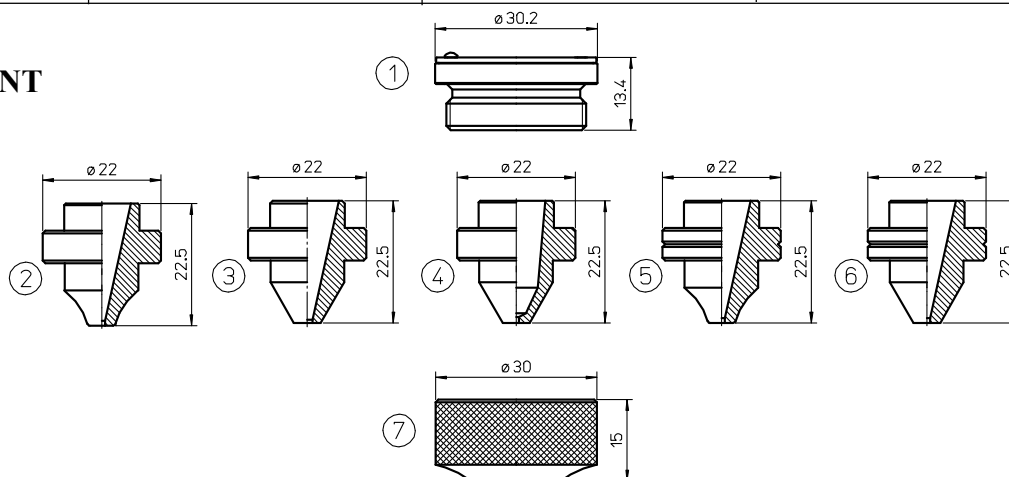
# ACCESSORIES FOR AMADA®



Item	Code	Euro	Description
			<b>ACCESSORIES FOR LENSES</b>
	123602		Lens cleaning fluid ml. 250
	240568/50		Polish - 50 ml.
	10466		Lens cleaning paper - (1 package contains 50 pcs. - price is per package)
	SU/15		Support for lens $\varnothing$ 1,5
	SU/20		Support for lens $\varnothing$ 2,0
	SU/15V		Support for lens <b>FO</b> $\varnothing$ 1,5
	71360261		Gasket Teflon® (for support $\varnothing$ 1,5)
	71361393		Gasket Teflon® (for support $\varnothing$ 2,0)
	INDIUM 1		Indium $\varnothing$ 1,0 mm. x L. 120 mm. (for lens $\varnothing$ 1,5)
	INDIUM 2		Indium $\varnothing$ 1,0 mm. x L. 160 mm. (foe lens $\varnothing$ 2,0)
			<b>SENSOR CABLES</b>
2	71341630		Sensor cable HS 5
3	71398965		Sensor cable HS 15 FO
4	71340000		Head plug for sensor cable
			<b>FILTERS</b>
5	71232023		Filter vacuum pump (A98L-0001-0911)

**AMADA®  
LASMAC 667**

**REPLACEMENT PARTS SUITABLE FOR**

**AMADA®  
APELIO 245**

**NOZZLES ARE PACKED IN SINGLE BOXES**

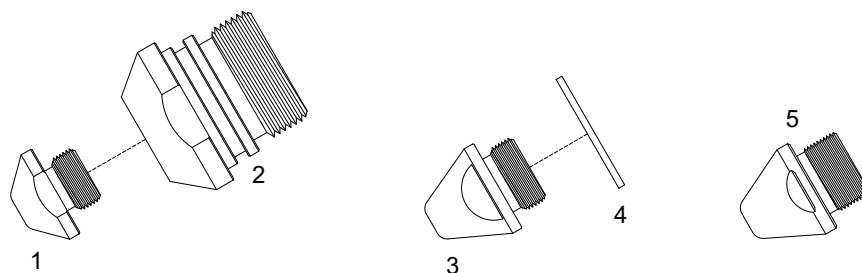
Item	Ref.	Code std.	Euro	Cod. chromed	Euro	Description
1	71101905	-----	---	71101905/C		Outer nozzle
	71101906	71101906		-----	---	O-Ring for outer nozzle
2	71101901-12	-----	---	71101901-12/C		Tip $\varnothing$ 1.25
	71101901	-----	---	71101901/C		Tip $\varnothing$ 1.5
	71101902-18	-----	---	71101902-18/C		Tip $\varnothing$ 1.75
	71101902	-----	---	71101902/C		Tip $\varnothing$ 2.0
	71101907	71101907		-----	---	O-Ring for nozzle (min. quantity 10 pcs.) (single price)
	3	6506892-12	-----	---	6506892-12/C	
6506892-15		-----	---	6506892-15/C		Tip $\varnothing$ 1.5
6506892-18		-----	---	6506892-18/C		Tip $\varnothing$ 1.75
6506892-20		-----	---	6506892-20/C		Tip $\varnothing$ 2.0

**AMADA®  
LC 3015 XINT**

**NOZZLES ARE PACKED IN SINGLE BOXES**

Item	Ref.	Code std.	Euro	Description
1	P0594-890-00001	P0594-860-00001	on request	Nozzle Holder HP2" original Precitec®
2	71800016A0	71800016A0		Tip $\varnothing$ 1,0 ( BQ933D283H01 )
3	71800018	71800018		Tip $\varnothing$ 1,5 ( BQ943D157H01 )
		71800018-1.7		Tip $\varnothing$ 1,7
		71800019		Tip $\varnothing$ 2,0 ( BQ943D157H02 )
		71800020		Tip $\varnothing$ 2,5 ( BQ943D157H03 )
		71800021		Tip $\varnothing$ 3,0 ( BQ943D157H04 )
		71800022		Tip $\varnothing$ 3,5 ( BQ943D596H01 )
		71800024-4.0		Tip $\varnothing$ 4,0
4	71800016	71800016		Tip $\varnothing$ 1,0 HV ( Q943D897H01 )
		71800015		Tip $\varnothing$ 2,5 HV
		71800014		Tip $\varnothing$ 3,0 HV
5	71800017	71800017		Tip $\varnothing$ 1,2 HV ( BQ943D269H01 )
6		71800017-1.7		Tip $\varnothing$ 1,7 HV
7	71800026	71800026		Nut ( BQ933D94H01 )

**REPLACEMENT PARTS SUITABLE FOR**

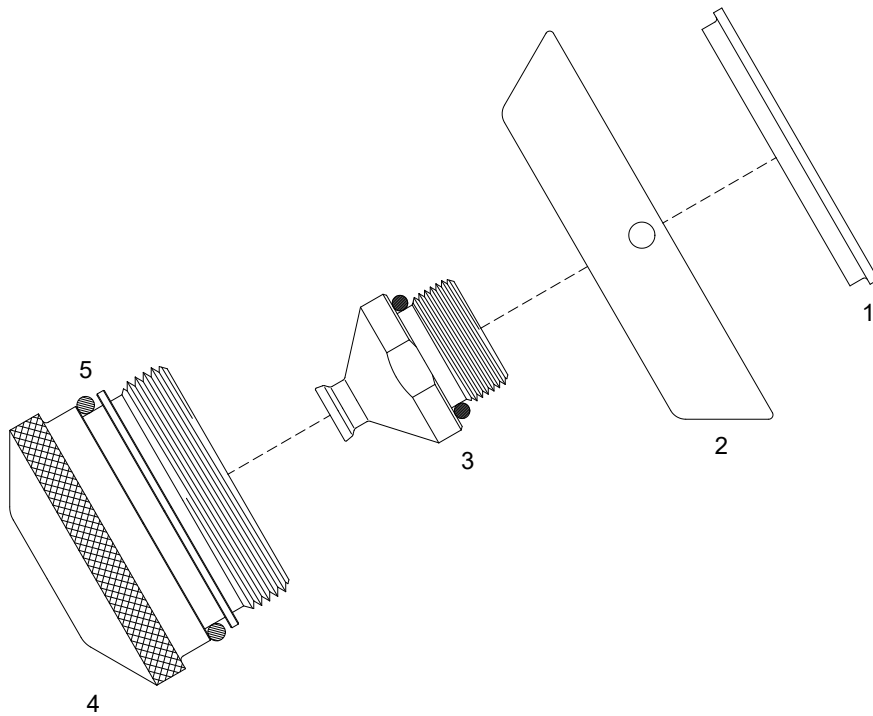
**AMADA®**  
**LC 2415**  
**LCD 3015 II**  
**HS 95**  
**AHS 100**


**NOZZLES ARE PACKED IN 10er BOXES**

Item	Ref.	Code std.	Euro	Cod. chromed	Euro	Description
1	62094006.10	-----	----	62094006.10		Tip ø 1.0 M10x1
	62094006.13	-----	----	62094006.13		Tip ø 1.3 M10x1
	62094006.15	-----	----	62094006.15		Tip ø 1.5 M10x1
	62094006.17	-----	----	62094006.17		Tip ø 1.7 M10x1
	62094006	-----	----	62094006		Tip ø 2.0 M10x1
	62094006.25	-----	----	62094006.25		Tip ø 2.5 M10x1
	62094006.30	-----	----	62094006.30		Tip ø 3.0 M10x1
2	-----	55251		-----	----	Tip adapter
3	1664545U-1.0	-----	----	1664545U-1.0		Tip ø 1.0 M12x1
	1664545U-1.25	-----	----	1664545U-1.25		Tip ø 1.25 M12x1
	1664545U-1.5	-----	----	1664545U-1.5		Tip ø 1.5 M12x1
	1664545U-1.7	-----	----	1664545U-1.7		Tip ø 1.7 M12x1
	1664545U-2.0	-----	----	1664545U-2.0		Tip ø 2.0 M12x1
	1664545U-2.5	-----	----	1664545U-2.5		Tip ø 2.5 M12x1
	1664545U-2.7	-----	----	1664545U-2.7		Tip ø 2.7 M12x1
	1664544U-3.0	-----	----	1664544U-3.0		Tip ø 3.0 M12x1
	1664544U-3.5	-----	----	1664544U-3.5		Tip ø 3.5 M12x1
	1664544U-4.0	-----	----	1664544U-4.0		Tip ø 4.0 M12x1
4	71341614	71341614		-----	----	Insulating disc E. ø 21 Long Life
	71341614	71341614C		-----	----	Insulating disc E. ø 21 Ceramic
5	71360089-12	-----	----	71341686		Tip ø 1.2 M12x1 w/insert
	71360089-14	-----	----	71341682		Tip ø 1.4 M12x1 w/insert
	71360089-15	-----	----	71341678		Tip ø 1.5 M12x1 w/insert
	71360089-16	-----	----	71341683		Tip ø 1.6 M12x1 w/insert
	71360089-18	-----	----	71341684		Tip ø 1.8 M12x1 w/insert
	71360089	-----	----	71341679		Tip ø 2.0 M12x1 w/insert
	71341680	-----	----	71341680		Tip ø 2.5 M12x1 w/insert
	71360142	-----	----	71341681		Tip ø 3.0 M12x1 w/insert
	71360142-35	-----	----	71360142-35		Tip ø 3.5 M12x1 w/insert
	71360142-40	-----	----	71341685		Tip ø 4.0 M12x1 w/insert

**REPLACEMENT PARTS SUITABLE FOR**

**AMADA®  
LC 3015 BII**

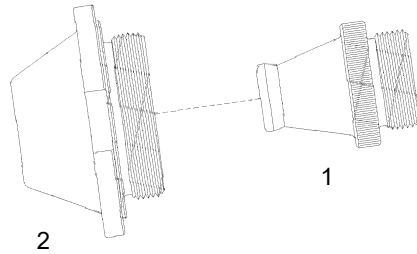


**NOZZLES ARE PACKED IN SINGLE BOXES**

Item	Ref.	Code std.	Euro	Cod. chromed	Euro	Description
1	71366437	71366437		-----	----	Guard ring
2	71366438	71366438		-----	----	Guard nut
3	71366090.15	-----	----	71366090.15		Tip ø 1.5 with insert
	71366090.20	-----	----	71366090.20		Tip ø 2.0 with insert
	71366090	-----	----	71366090.25		Tip ø 2.5 with insert
	71366090.30	-----	----	71366090.30		Tip ø 3.0 with insert
	71366090.38	-----	----	71366090.38		Tip ø 3.8 with insert
	71366090.40	-----	----	71366090.40		Tip ø 4.0 with insert
4	71366452	-----	----	71366452		Outer nozzle
5	71366453	71366453		-----	----	O-Ring

**REPLACEMENT PARTS SUITABLE FOR**

**AMADA®  
HP-X**



**NOZZLES ARE PACKED IN 10er BOXES**

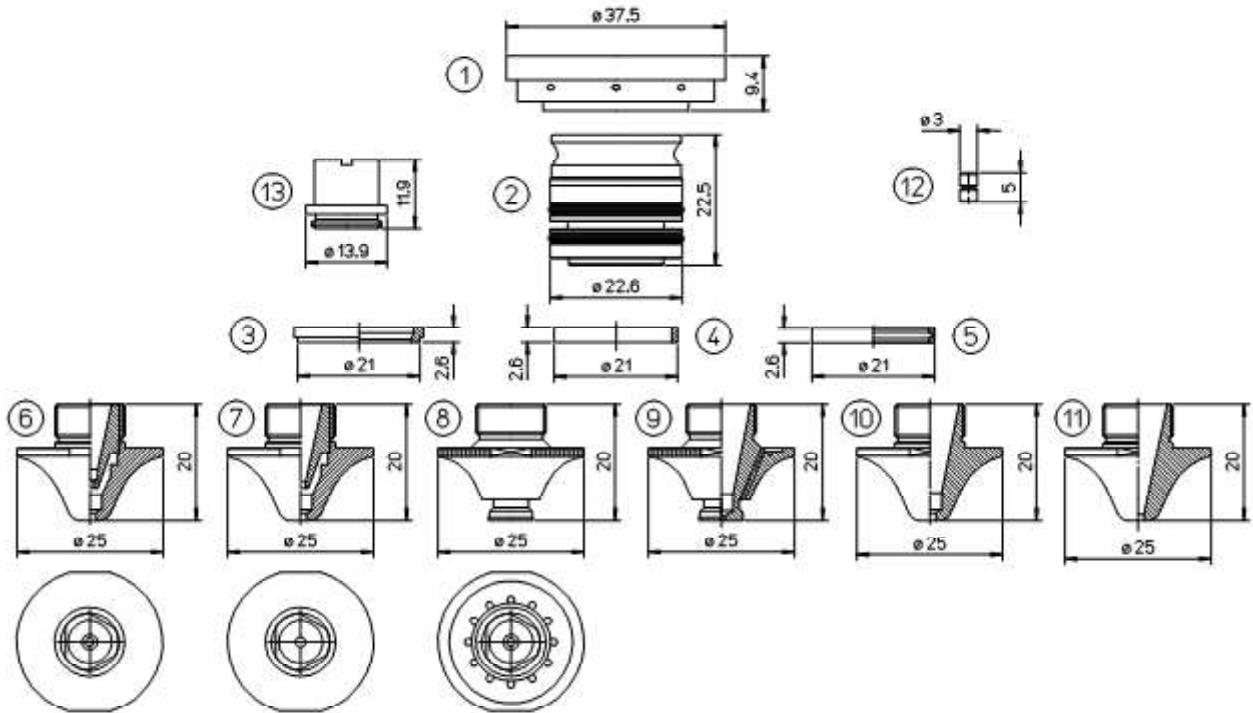
Item	Ref.	Code std.	Euro	Cod. chromed	Euro	Description
1	1582360	-----	---	1582360		Tip ø 0.8
	1582360.12	-----	---	1582360.12		Tip ø 1.2
	1582360.14	-----	---	1582360.14		Tip ø 1.4
	1582360.20	-----	---	1582360.20		Tip ø 2.0
2		-----	---	1582361		Outer nozzle

**AMADA®  
F.O.:**



**NOZZLES ARE PACKED IN 5er BOXES**

Item	Ref.	Code std.	Euro	Cod. chromed	Euro	Description
1	1572363	-----	---	1572363		Tip ø 1.2 "D 1.2 E" w/insert
	1572361	-----	---	1572361		Tip ø 1.4 "D 1.4 E" w/insert
	-----	-----	---	1572364		Tip ø 2.0 "D 2.0 E" w/insert
	-----	-----	---	1572360		Tip ø 2.5 "D 2.5 E" w/insert
	-----	-----	---	1572367		Tip ø 3.0 "D 2.0 E" w/insert
	-----	-----	---	1572368		Tip ø 4.0 "D 2.0 E" w/insert
2	1572362	-----	---	1572362		Tip ø 1.2 "S 1.2 E"
	-----	-----	---	1572365		Tip ø 1.4 "S 1.4 E"
	-----	-----	---	1572366		Tip ø 2.0 "S 2.0 E"
	-----	-----	---	1572369		Tip ø 3.0 "S 3.0 E"
	-----	-----	---	1572370		Tip ø 4.0 "S 4.0 E"

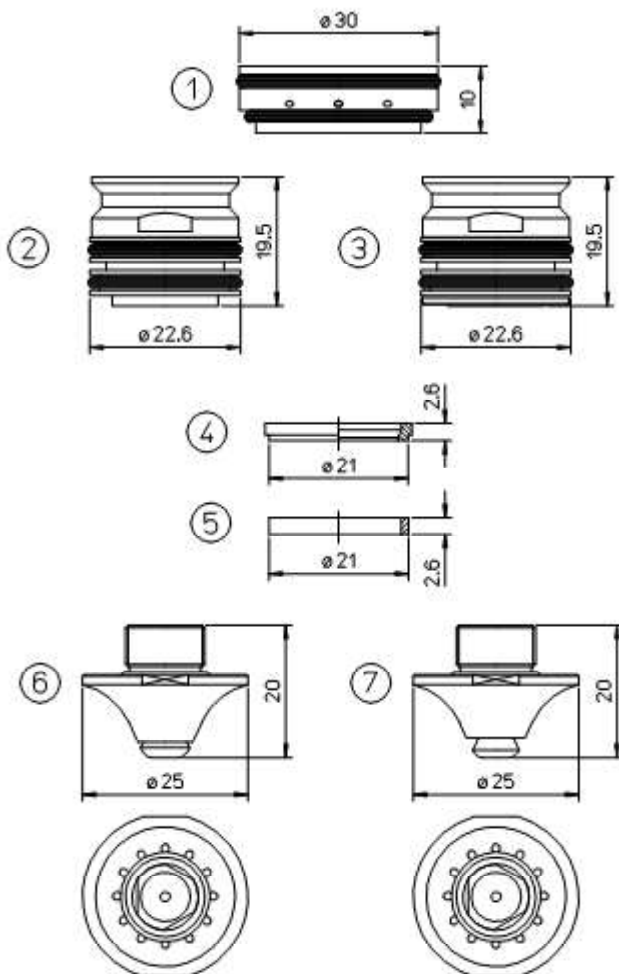
**REPLACEMENT PARTS SUITABLE FOR**
**AMADA®**

**NOZZLES ARE PACKED IN SINGLE BOXES**

Item	Ref.	Code std.	Euro	Cod. chromed	Euro	Description
1	7973497	71712349		-----	----	PTFE holder
2	7973459	71712350		-----	----	Nozzle adaptors w/holes(with out inner)
	-----	717123OR		-----	----	Kit O-ring for adaptor
3	-----	71502027		-----	----	PTFE collar rigid version for Wacs
4	71515853	71515853		-----	----	PTFE collar for Wacs
5	71712340	71712340		-----	----	PTFE collar with groove
6	71518550	(other ref. 71461029)		71502038		Nozzle ø 1.4E eco cut, w/insert
	71516789	-----		71501059		Nozzle ø 2.5 eco cut, w/insert
	-----	-----		71501030		Nozzle ø 3.0 eco cut, w/insert
	71516790	-----		71501060		Nozzle ø 4.0 eco cut, w/insert
7	71501093	-----		71501093		Nozzle ø 4.0 AL w/insert, Wacs
8	-----	-----		71711352		Nozzle ø 1.4W w/insert, Wacs
	-----	-----		71711353		Nozzle ø 1.7W w/insert, Wacs
	-----	-----		71711354		Nozzle ø 2.0W w/insert, Wacs
	71712335	-----		71712335		Nozzle ø 2.5W w/insert, Wacs
	71712336	(other ref. 71461158)		71712336		Nozzle ø 4.0W w/insert, Wacs
	-----	-----		71711159		Nozzle ø 5.0W w/insert, Wacs
9	-----	-----		71002336		Nozzle ø S1.2W Wacs
10	71461028	-----		71502037		Nozzle ø S1.2
11	-----	-----		71501014		Nozzle ø S1.4 eco cut
	71501056	(other ref. 71712720)		71501056		Nozzle ø S1.5 eco cut
	71501057	(other ref. 71555124)		71501057		Nozzle ø S2.0 eco cut
	71501058	(other ref. 71516788)		71501058		Nozzle ø S3.0 eco cut
12	71712344	-----		71712344		Pin
13	71716438	(other ref. 71798350)		71716438		Inner for adaptor



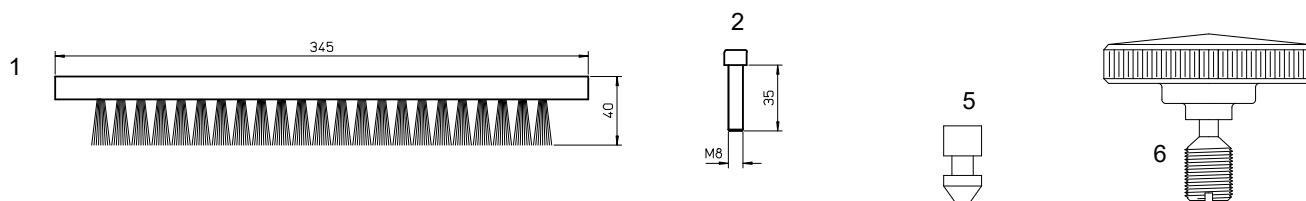
## REPLACEMENT PARTS SUITABLE FOR

AMADA®


**NOZZLES ARE PACKED IN SINGLE BOXES**

Item	Ref.	Code std.	Euro	Cod. chromed	Euro	Description
1	71502026	71502026		-----	----	PTFE insulator for adaptor
2	71502036	71502036/A		-----	----	Nozzle adaptor with 8 holes
3	71503036	71503036		-----	----	Nozzle adaptor with 12 holes
	-----	71502036/OR		-----	----	Kit O-ring for 71502036/A
4	-----	71502027		-----	----	PTFE collar rigid version for Wacs
5	71515853	71515853		-----	----	PTFE collar, Wacs
6	-----	-----	----	71502025		Nozzle $\varnothing$ 2.5 w/holes and insert
	-----	-----	----	71502040		Nozzle $\varnothing$ 4.0 w/holes and insert
7	-----	-----	----	71501114		Nozzle $\varnothing$ 1.4 w/holes and insert
	-----	-----	----	71501117		Nozzle $\varnothing$ 1.7 w/holes and insert
	-----	-----	----	71501120		Nozzle $\varnothing$ 2.0 w/holes and insert
	-----	-----	----	71502039		Nozzle $\varnothing$ 2.5 w/holes and insert
	-----	-----	----	71502140		Nozzle $\varnothing$ 4.0 w/holes and insert
	-----	-----	----	71502050		Nozzle $\varnothing$ 5.0 w/holes and insert

## REPLACEMENT PARTS SUITABLE FOR ACCESSORIES FOR BYSTRONIC®

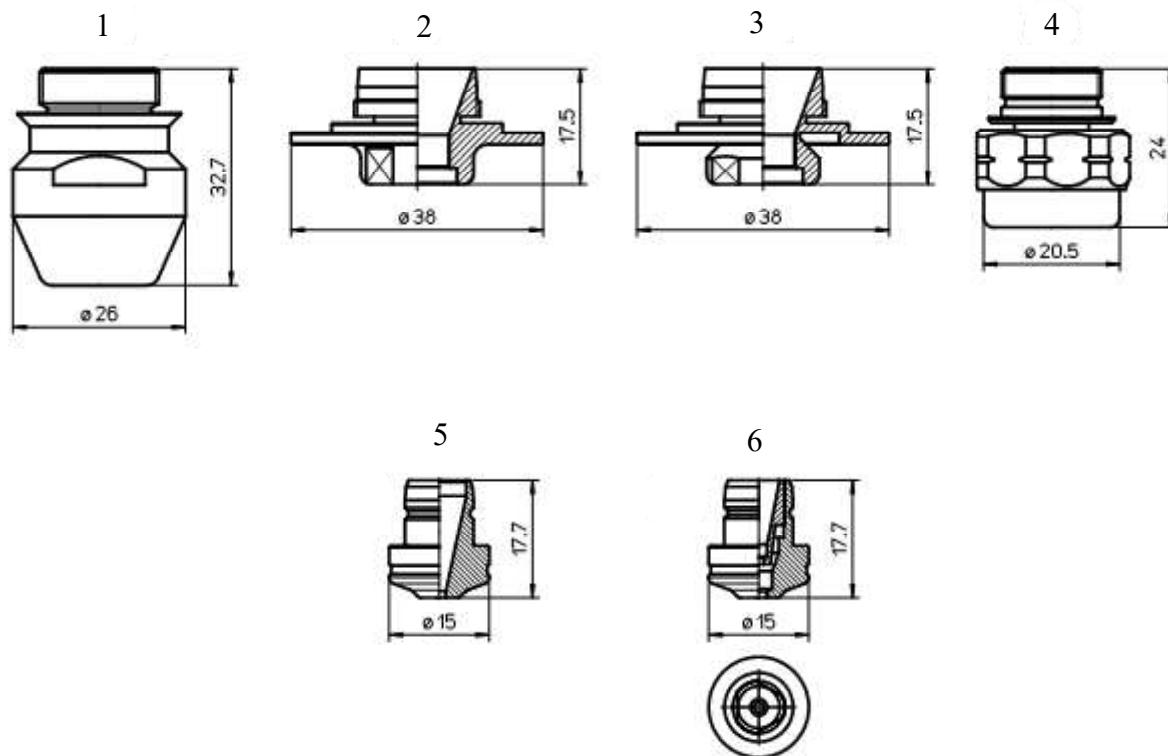


# NEW



Item	Code std.	Euro	Description
			<b>ACCESSORIES FOR LENSES</b>
	123602		Lens cleaning fluid ml. 250
	240568/50		Polish - 50 ml.
	10466		Lens cleaning paper - (1 package contains 50 pcs. - price is per package)
			<b>VARIOUS</b>
1	2-06511		Brush 345X30x20 w/screws ( Bysprint / Bystar )
2	333884		Screws plastic (2 pcs.) single price
3	7023207		Male water connector for head
4	7023208		Female water connetor for head
3+4	7023207+7023208		Couple of water connectors for head
5	4-03137		Pin
6	4-03136		Knurled Screw
			<b>FILTERS</b>
	71064753		Vacuum pump filter
	8820145		Water filter 60 M/C
	8820154		Water filter 140 M/C
	7509412		Air filter Active Coal
	7509391		Air filter green 37x62
	7509417		Air filter green 37x106
	7509293		Air filter Active Carbon 37x90
	7001341		Oil filter for LEYBOLD® vacuum pump
	7004621		Air filter DELTEC®
	7509416		Air filter white 37x106
	502456		Vacuum pump filter per BECKER® - 4000W
	501743		Air filter 190x35

## REPLACEMENT PARTS SUITABLE FOR

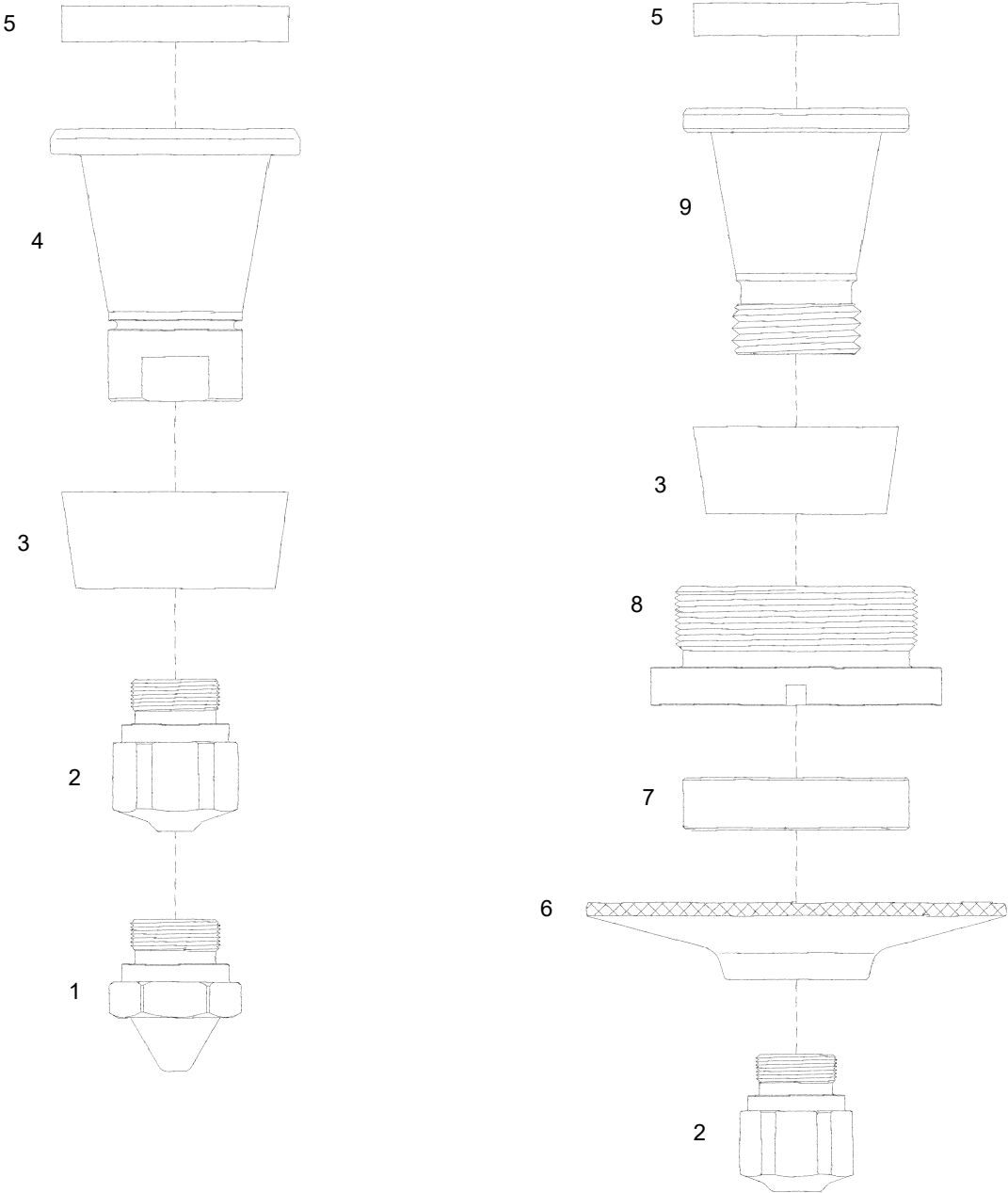
**BYSTRONIC®  
FIBRA**


**NOZZLES ARE PACKED IN 10er BOXES**

Item	Ref.	Code std.	Euro	Code chromed	Euro	Description
1	10034061	10034061		-----	-----	Nozzle body
2	10046030	10046030		-----	-----	Nozzle body
3	10051113	10051113		-----	-----	Nozzle body
4	10064099	10064099		-----	-----	Nozzle body ( with threads )
5	BY310-8529X	10048529		-----	-----	Nozzle ø 0,8 HK8
	BY310-5266X	10035266		-----	-----	Nozzle ø 1,0 HK10
	BY310-5267X	10035267		-----	-----	Nozzle ø 1,2 HK12
	BY310-5268X	10035268		-----	-----	Nozzle ø 1,5 HK15
	BY310-5269X	10035269		-----	-----	Nozzle ø 1,7 HK17
	BY310-5270X	10035270		-----	-----	Nozzle ø 2,0 HK20
	BY310-5271X	10035271		-----	-----	Nozzle ø 2,5 HK25
	BY310-5272X	10035272		-----	-----	Nozzle ø 3,0 HK30
	BY310-9744X	10049744		-----	-----	Nozzle ø 3,5 HK35
6	BY310-9747X	10049747		-----	-----	Nozzle with insert ø 1,0 NK10-15
	BY310-5275X	10035275		-----	-----	Nozzle with insert ø 1,2 NK 12-15
	BY310-5278X	10035278		-----	-----	Nozzle with insert ø 1,5 NK15-15
	BY310-5290X	10035290		-----	-----	Nozzle with insert ø 1,7 NK 17-15
	BY310-5292X	10035292		-----	-----	Nozzle with insert ø 2,0 NK 20-15
	BY310-5294X	10035294		-----	-----	Nozzle with insert ø 2,5 NK 25-15
	BY310-5296X	10035296		-----	-----	Nozzle with insert ø 2,5 NK 25-20
	BY310-5298X	10035298		-----	-----	Nozzle with insert ø 3,0 NK 30-17
	BY310-5301X	10035301		-----	-----	Nozzle with insert ø 3,0 NK 30-20
	BY310-5302X	10035302		-----	-----	Nozzle with insert ø 3,5 NK 35-30

**REPLACEMENT PARTS SUITABLE FOR**

**BYSTRONIC®**



**NOZZLES ARE PACKED IN 10er BOXES**

ACB International v.o.f. is in no way affiliated with BYSTRONIC®. The parts advertised for sale are not genuine BYSTRONIC® parts, but are parts made for and by ACB International v.o.f.. Reference to BYSTRONIC® machine and numbers are for your convenience only. We reserve the right to substitute genuine BYSTRONIC® parts in place of ACB International v.o.f. parts.

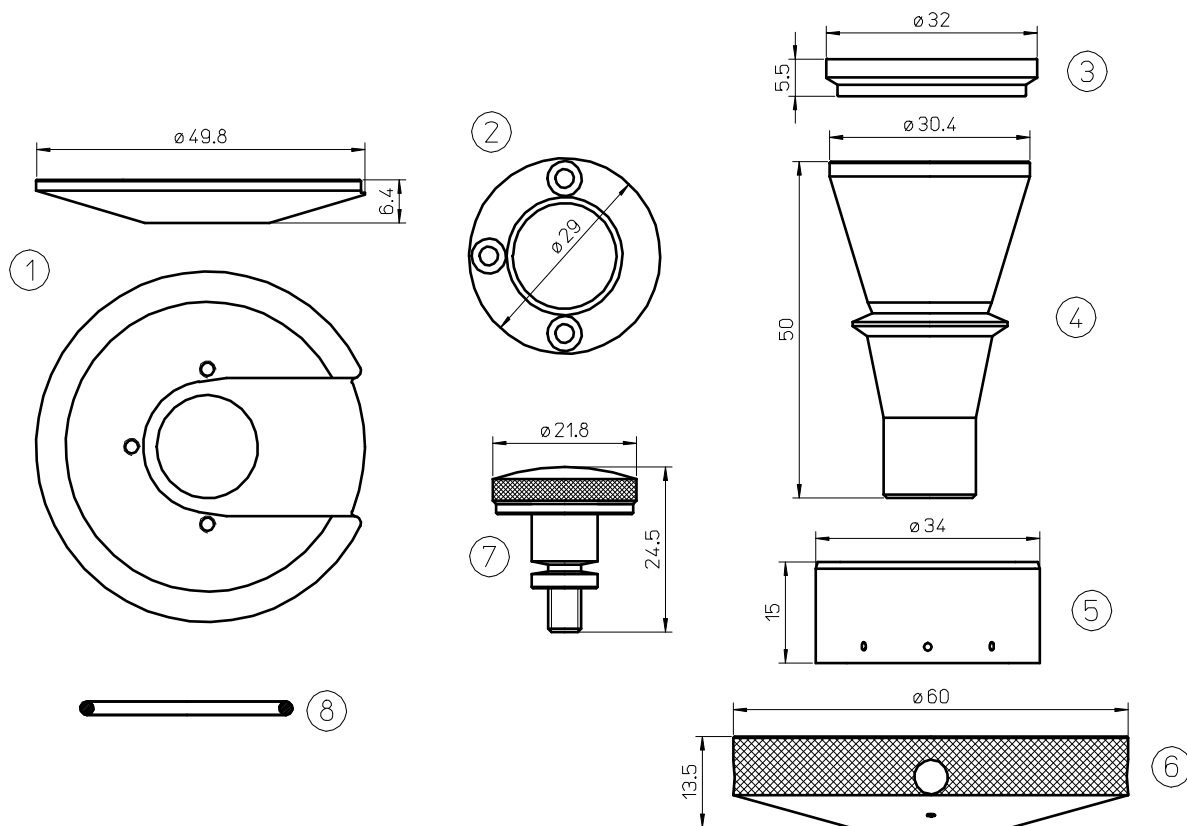
REPLACEMENT PARTS SUITABLE FOR

BYSTRONIC®

Item	Ref.	Code std.	Euro	Code chromed	Euro	Description
1	3-04271	3-04271		-----	----	Tip ø 0.8
	3-01894	3-01894		-----	----	Tip ø 1.0
	3-01895	3-01895		-----	----	Tip ø 1.25
	3-01896	3-01896		-----	----	Tip ø 1.5
	3-01897	3-01897		-----	----	Tip ø 1.75
	3-01898	3-01898		-----	----	Tip ø 2.0
	3-04272	3-04272		-----	----	Tip ø 2.5
	3-04275	3-04275		-----	----	Tip ø 0.8 H
	3-01899	3-01899		-----	----	Tip ø 1.0 H
	3-01900	3-01900		-----	----	Tip ø 1.25 H
	3-01901	3-01901		-----	----	Tip ø 1.5 H
	3-01902	3-01902		-----	----	Tip ø 1.75 H
	3-01903	3-01903		-----	----	Tip ø 2.0 H
	3-04276	3-04276		-----	----	Tip ø 2.5 H
	2	3-04273	3-04273		3-04273/C	
3-01905		3-01905		3-01905/C		Tip ø 1.0 K
3-01906		3-01906		3-01906/C		Tip ø 1.25 K
3-01907		3-01907		3-01907/C		Tip ø 1.5 K
3-01908		3-01908		3-01908/C		Tip ø 1.75 K
3-01909		3-01909		3-01909/C		Tip ø 2.0 K
3-04274		3-04274		3-04274/C		Tip ø 2.5 K
3-01930		3-01930		3-01930/C		Tip ø 3.0 K
3-04277		3-04277		3-04277/C		Tip ø 0.8 HK
3-01910		3-01910		3-01910/C		Tip ø 1.0 HK
3-01911		3-01911		3-01911/C		Tip ø 1.25 HK
3-01912		3-01912		3-01912/C		Tip ø 1.5 HK
3-01913		3-01913		3-01913/C		Tip ø 1.75 HK
3-01914		3-01914		3-01914/C		Tip ø 2.0 HK
3-03854		3-03854		3-03854/C		Tip ø 2.5 HK
3-06112		3-06112		3-06112/C		Tip ø 3.0 HK
-----		3-06113		3-06113/C		Tip ø 3.5 HK
-----		3-06114		3-06114/C		Tip ø 4.0 HK
2	3-16058	3-16058		3-16058/C		Tip ø 1.0 NK w/ insert NK10-15
	3-16059	3-16059		3-16059/C		Tip ø 1.2 NK w/ insert NK 12-15
	3-16060	3-16060		3-16060/C		Tip ø 1.5 NK w/ insert NK15-15
	3-14317	3-14317		3-14317/C		Tip ø 1.7 NK w/ insert NK 17-15
	3-14318	3-14318		3,14318/C		Tip ø 2.0 NK w/ insert NK 20-15
	3-14319	3-14319		3,14319/C		Tip ø 2.5 NK w/ insert NK 25-15
	3-16256	3-16256		3-16256/C		Tip ø 2.5 NK w/ insert NK 25-20
	3-16061	3-16061		3-16061/C		Tip ø 3.0 NK w/ insert NK 30-17
	3-16257	3-16257		3-16257/C		Tip ø 3.0 NK w/ insert NK 30-20
	10008419	5-05187		5-05187/C		Tip ø 3.5 NK w/ insert NK 35-30
3	4-01959	4-01959		-----	----	Cone ceramic (without cut control)
	4-01959-1	4-01959-1		-----	----	Cone ceramic (with cut control)
4	3-05497	3-05497		-----	----	Nozzle body
5	4-01642	4-01642		-----	----	Insulating disc ceramic (without cut control)
	4-01642	4-01642-1		-----	----	Insulating disc ceramic (with cut control)
6	2-08700	2-08700		-----	----	Shield copper
7	4-09010	4-09010		-----	----	Insulating disc
8	3-11071	3-11071		-----	----	Fastening Nut
9	2-08701	2-08701		-----	----	Nozzle body

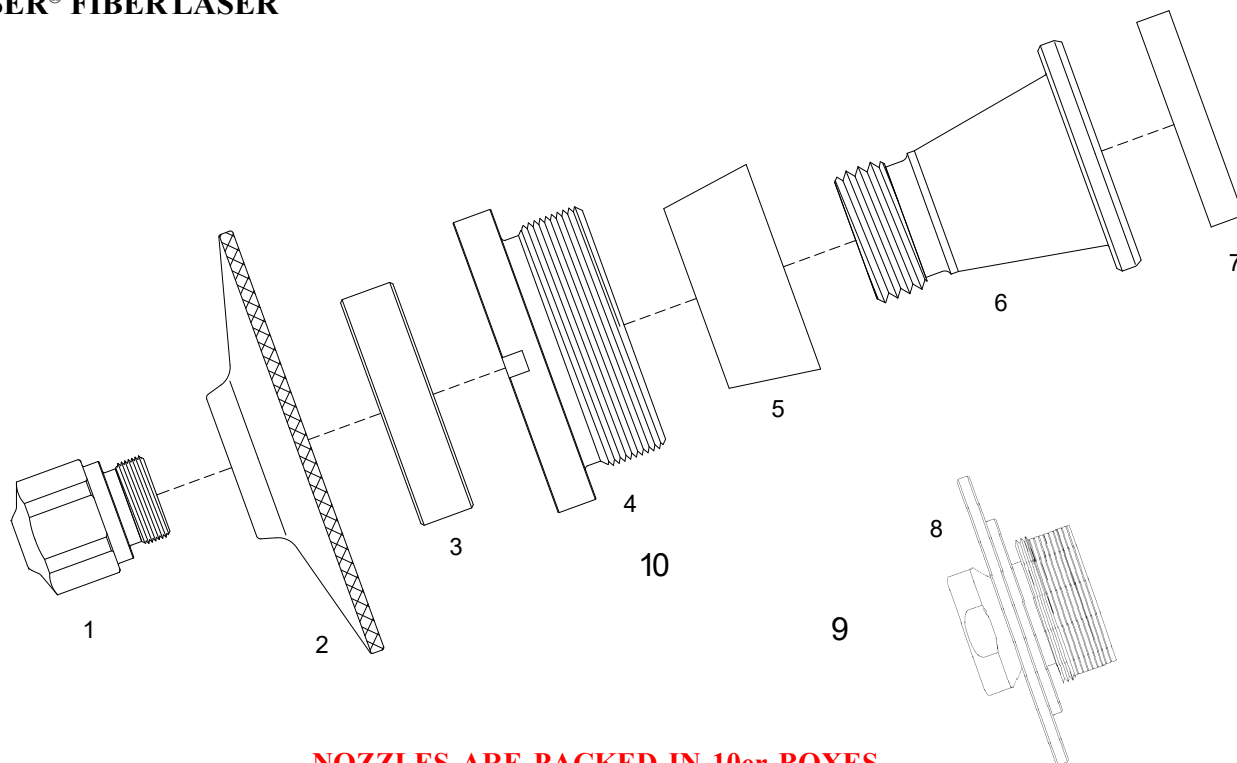
## REPLACEMENT PARTS SUITABLE FOR

## BYSTRONIC®

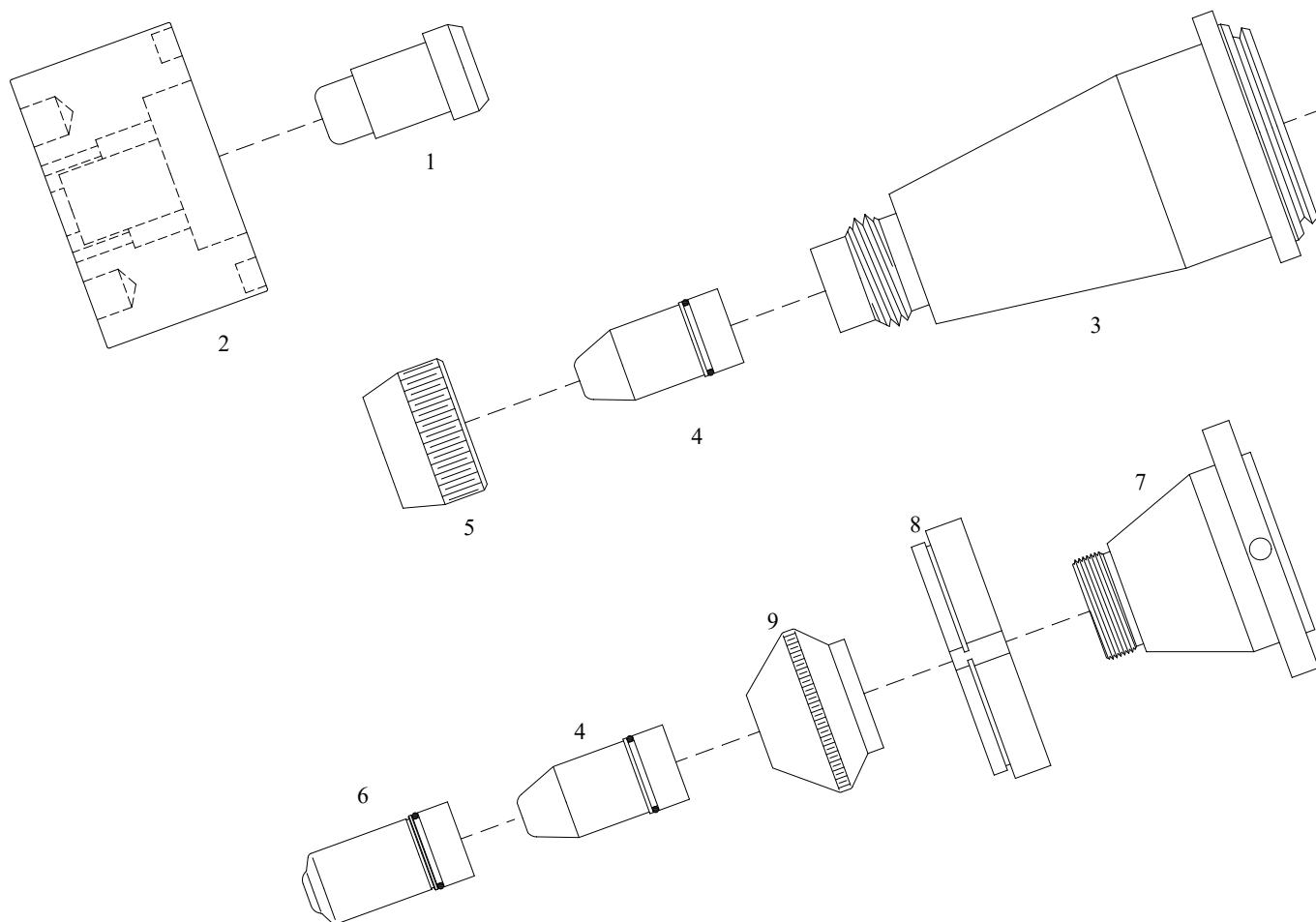


Item	Ref.	Code	Euro	Description
1	3-06035	3-06035		Signboard (only copper)
		3-06000		Screws (3 pcs.)
2	3-06035	3-06035T		Disc Teflon®
3	3-13113	3-13113		Insulating disc
4	2-10837	2-10837		Nozzle body
5	3-13422	3-13422		Insulating disc w/holes
6	3-13110	3-13110		Shield copper
7	4-04976	4-04976		Knurled screw
	4-00324	4-00324		Knurled screw
	3-09001	3-09001		Screw crossjet
8	31400820	31400820		O-ring for lens
	3141300	3141300		O-ring
	3141122	3141122		O-ring
	3140236	3140236		O-ring
	3-05530	3-05530		Scanner
	2-02015	2-02015		Scanner
	3-02291	3-02291		Nozzle body
	3-03663T	3-03663T		Disc Teflon®
	3-03663C	3-03663C		Ring copper

## REPLACEMENT PARTS SUITABLE FOR

**CY-LASER® FIBERLASER**

**NOZZLES ARE PACKED IN 10er BOXES**

Item	Ref.	Code std.	Euro	Code chromed	Euro	Description
-	<b>Q130627RS</b>	<b>Q130627RS</b>				<b>Protective window <math>\phi</math> 38mm Thk. 5,25mm for Fiber Laser</b>
1	3-04273	3-04273		3-04273/C		Tip $\phi$ 0.8 K
	3-01905	3-01905		3-01905/C		Tip $\phi$ 1.0 K
	3-01906	3-01906		3-01906/C		Tip $\phi$ 1.25 K
	3-01907	3-01907		3-01907/C		Tip $\phi$ 1.5 K
	3-01908	3-01908		3-01908/C		Tip $\phi$ 1.75 K
	3-01909	3-01909		3-01909/C		Tip $\phi$ 2.0 K
	3-04274	3-04274		3-04274/C		Tip $\phi$ 2.5 K
	3-01930	3-01930		3-01930/C		Tip $\phi$ 3.0 K
	3-04277	3-04277		3-04277/C		Tip $\phi$ 0.8 HK
	3-01910	3-01910		3-01910/C		Tip $\phi$ 1.0 HK
	3-01911	3-01911		3-01911/C		Tip $\phi$ 1.25 HK
	3-01912	3-01912		3-01912/C		Tip $\phi$ 1.5 HK
	3-01913	3-01913		3-01913/C		Tip $\phi$ 1.75 HK
	3-01914	3-01914		3-01914/C		Tip $\phi$ 2.0 HK
	3-03854	3-03854		3-03854/C		Tip $\phi$ 2.5 HK
	3-06112	3-06112		3-06112/C		Tip $\phi$ 3.0 HK
	-----	3-06113		3-06113/C		Tip $\phi$ 3.5 HK
	-----	3-06114		3-06114/C		Tip $\phi$ 4.0 HK
2	2-08700	2-08700		-----	-----	Shield copper
3	4-09010	4-09010		-----	-----	Insulating disc
4	3-11071	3-11071		-----	-----	Fastening Nut
5	4-01959	4-01959		-----	-----	Cone ceramic (without cut control)
	4-01959-1	4-01959-1		-----	-----	Cone ceramic (with cut control)
6	2-08701	2-08701		-----	-----	Nozzle body
7	4-01642	4-01642		-----	-----	Insulating disc ceramic (without cut control)
	4-01642-1	4-01642-1		-----	-----	Insulating disc ceramic (with cut control)
8	10051113	10051113		-----	-----	Nozzle body for <b>FIBER LASER</b>

**REPLACEMENT PARTS SUITABLE FOR**
**CINCINNATI®  
IPG® FIBRA**

**NOZZLES ARE PACKED IN SINGLE BOXES**

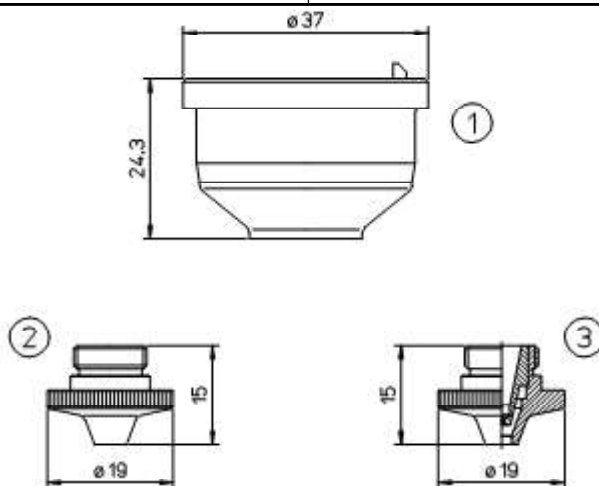
Item	Ref.	Code std.	Euro	Description
-		<b>P0589-360-00001</b>		<b>Protective window <math>\phi</math> 22,35 Thk.4mm for FIBER laser (PLLCG0034)</b>
1	908090	908090		Gas jet tip - 0.060 orifice (Elongated nozzle $\phi$ 1.5)
	907469	907469		Gas jet tip - 0.040 orifice (Nozzle $\phi$ 1.0)
	907470	907470		Gas jet tip - 0.060 orifice (Nozzle $\phi$ 1.5)
	920006	920006		Gas jet tip - 0.080 orifice (Nozzle $\phi$ 2.0)
2	907677	907677		Tip retainer (Nozzle holder)
3	909658	909658		Tip retainer extension (long)
4	909660-04	909660-04		Gas jet tip - 0.040 orifice (Nozzle $\phi$ 1.0 with o-ring)
	909660	909660		Gas jet tip - 0.060 orifice (Nozzle $\phi$ 1.5 with o-ring)
	910315	910315		Gas jet tip - 0.080 orifice (Nozzle $\phi$ 2.0 with o-ring)
	923789	923789		Gas jet tip - 0.100 orifice (Nozzle $\phi$ 2.5 with o-ring)
	923013	923013		Gas jet tip - 0.040 orifice (shower style)
	923014	923014		Gas jet tip - 0.060 orifice (shower style)
5	909659	909659		Tip retainer locking nut (Tip lock nut)
6	924636	924636		Gas jet tip - 0.060 orifice STR-HI-C $\phi$ 1.5
	924637	924637		Gas jet tip - 0.040 orifice STR-HI-C $\phi$ 1.0
7		56150		Nozzle body
8		56153		Insulator ring
9	963021	963021		Tip retainer nut - tapered



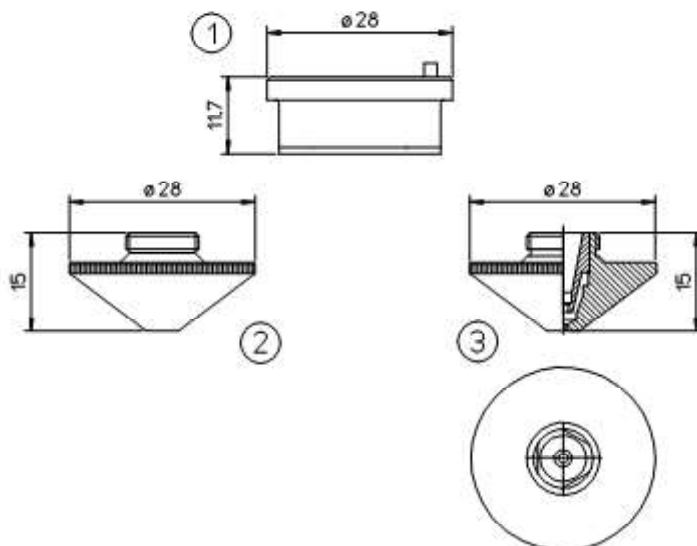
**REPLACEMENT PARTS SUITABLE FOR**
**HANKWANG®**

**NOZZLES ARE PACKED IN SINGLE BOXES**

Item	Ref.	Code std.	Euro	Description	
1	HW405-1010	HW405-1010		Nozzle 1,0mm (NP10)	
	HW405-1012	HW405-1012		Nozzle 1,2mm (NP12)	
	HW405-1015	HW405-1015		Nozzle 1,5mm (NP15)	
	HW405-1017	HW405-1017		Nozzle 1,7mm (NP17)	
	HW405-1020	HW405-1020		Nozzle 2,0mm (NP20)	
	HW405-1025	HW405-1025		Nozzle 2,5mm (NP25)	
	HW405-1030	HW405-1030		Nozzle 3,0mm (NP30)	
	2	HW405-3010	HW405-3010		Nozzle 1,0mm (NP10)
		HW405-3012	HW405-3012		Nozzle 1,2mm (NP12)
		HW405-3015	HW405-3015		Nozzle 1,5mm (NP15)
HW405-3020		HW405-3020		Nozzle 2,0mm (NP20)	
HW405-3025		HW405-3025		Nozzle 2,5mm (NP25)	

**HANKWANG®**

**NOZZLES ARE PACKED IN SINGLE BOXES**

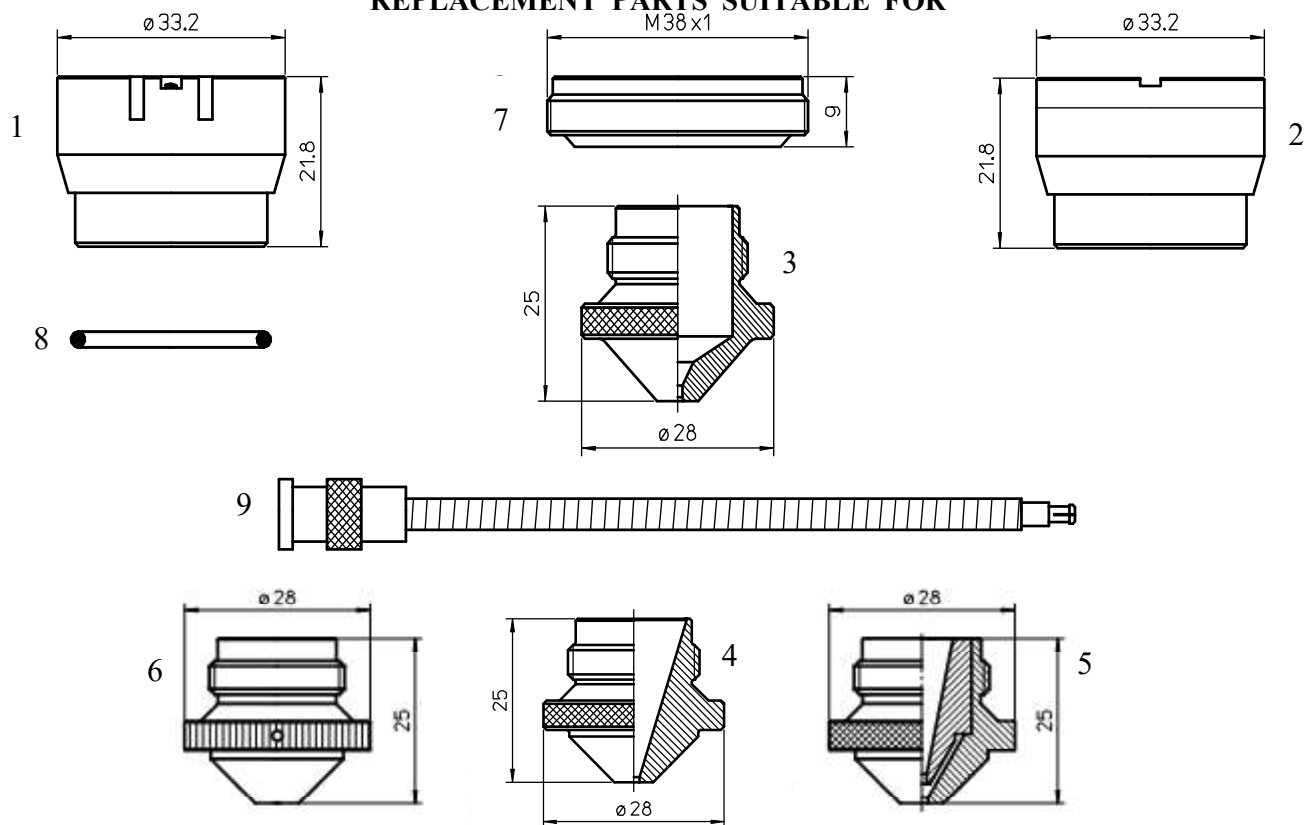
Item	Ref.	Code std.	Euro	Description	
1	HW405-1201	HW405-1201		Ceramic Nozzle holder (HCH-S01201)	
2	HW405-2008	HW405-2008		Nozzle 0,8mm	
	HW405-2010	HW405-2010		Nozzle 1,0mm (MX-0989)	
	HW405-2012	HW405-2012		Nozzle 1,2mm (MX-0990)	
	HW405-2015	HW405-2015		Nozzle 1,5mm (MX-0991)	
	HW405-2018	HW405-2018		Nozzle 1,8mm (MX-0992)	
	HW405-2020	HW405-2020		Nozzle 2,0mm (MX-0993)	
	HW405-2025	HW405-2025		Nozzle 2,5mm (MX-0994)	
	HW405-2030	HW405-2030		Nozzle 3,0mm	
	3	HW405-4010	HW405-4010		Double nozzle 1,0mm
		HW405-4015	HW405-4015		Double nozzle 1,5mm
HW405-4020		HW405-4020		Double nozzle 2,0mm	
HW405-4025		HW405-4025		Double nozzle 2,5mm	
HW405-4030		HW405-4030		Double nozzle 3,0mm	
HW405-4040		HW405-4040		Double nozzle 4,0mm	

**REPLACEMENT PARTS SUITABLE FOR**
**HANKWANG®**

**NOZZLES ARE PACKED IN 10er BOXES**

Item	Ref.	Code std.	Euro	Cod. chromed	Euro	Description
1	HW405-0811	HW405-0811				Ceramic nozzle holder
2	PT345-0008	281547		281547/C		Tip $\varnothing$ 0.8 HD
	PT345-1548	281548		281548/C		Tip $\varnothing$ 1.0 HD
	PT345-1549	281549		281549/C		Tip $\varnothing$ 1.2 HD
	PT345-1463	281563		281563/C		Tip $\varnothing$ 1.5 HD
	PT345-0001	281563.18		281563.18/C		Tip $\varnothing$ 1.8 HD
	PT345-1550	281550		281550/C		Tip $\varnothing$ 2.0 HD
	PT345-0003	281554		281554/C		Tip $\varnothing$ 2.3 HD
	PT345-1551	281551		281551/C		Tip $\varnothing$ 2.5 HD
	PT345-1552	281557		281557/C		Tip $\varnothing$ 2.75 HD
	PT345-0002	281555		281555/C		Tip $\varnothing$ 3.0 HD
	PT345-0005	281563.32		281563.32/C		Tip $\varnothing$ 3.2 HD
	PT345-0006	281563.35		281563.35/C		Tip $\varnothing$ 3.5 HD
	PT345-0004	281563.40		281563.40/C		Tip $\varnothing$ 4.0 HD
	PT345-0007	281563.45		281563.45/C		Tip $\varnothing$ 4.5 HD
3	PT358-0669	282508		282508/C		Tip $\varnothing$ 0.8 w/insert
	PT358-0010	282510		282510/C		Tip $\varnothing$ 1.0 w/insert
	PT358-0125	282512		282512/C		Tip $\varnothing$ 1.2 w/insert
	PT358-0015	282515		282515/C		Tip $\varnothing$ 1.5 w/insert
	PT358-0018	282518		282518/C		Tip $\varnothing$ 1.8 w/insert
	PT358-0020	282520		282520/C		Tip $\varnothing$ 2.0 w/insert
	PT358-0023	282523		282523/C		Tip $\varnothing$ 2.3 w/insert
	PT358-0007	282525		282525/C		Tip $\varnothing$ 2.5 w/insert
	PT358-0030	282530		282530/C		Tip $\varnothing$ 3.0 w/insert
	PT358-0035	282535		282535/C		Tip $\varnothing$ 3.5 w/insert

LVD®

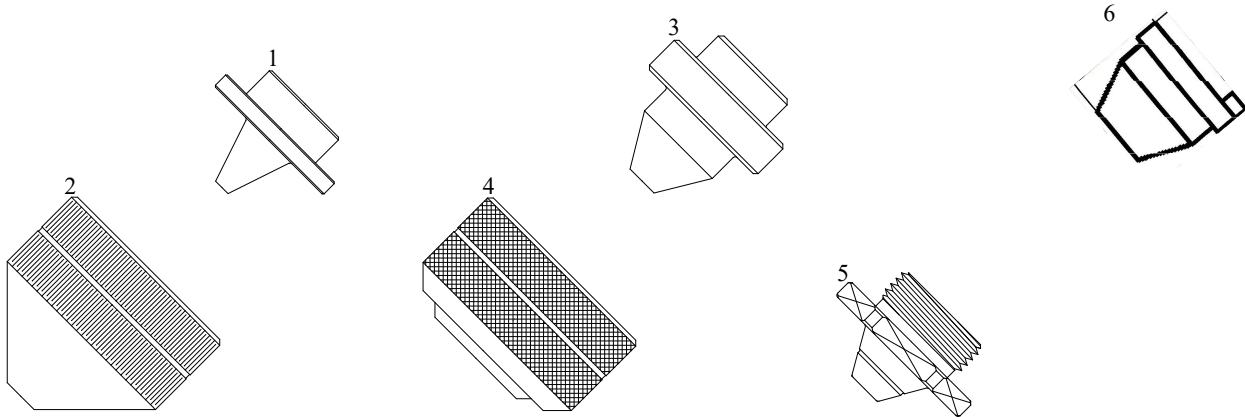
## REPLACEMENT PARTS SUITABLE FOR



Item	Ref.	Code std.	Euro	Code chromed	Euro	Description
1	P0380-211-00001	281146	on request	-----	----	Insulation part 5" DL original Precitec®
	P0380-211-00001	281146/A		-----	----	Insulation part 5" DL
2	P0497-605-00001	280565	on request	-----	----	Ceramic part 5" DX N original Precitec®
3	7945469	7945469		7945469/C		Tip $\phi 0,8$ std. (copper) CYLINDRICAL
	7945470	7945470		7945470/C		Tip $\phi 1,0$ std. (copper) CYLINDRICAL
	7945470.12	7945470.12		7945470.12/C		Tip $\phi 1,2$ std. (copper) CYLINDRICAL
	7945434	7945434		7945434/C		Tip $\phi 1,5$ std. (copper) CYLINDRICAL
	7945452	7945452		7945452/C		Tip $\phi 2,0$ std. (copper) CYLINDRICAL
	7945517	7945517		7945517/C		Tip $\phi 2,5$ std. (copper) CYLINDRICAL
	7945519	7945519		7945519/C		Tip $\phi 3,0$ std. (copper) CYLINDRICAL
4	5241863	7945483		7945483/C		Tip $\phi 1,0$ HD (copper) CONICAL
	-----	7945486		7945486/C		Tip $\phi 1,2$ HD (copper) CONICAL
	5241862	7945484		7945484/C		Tip $\phi 1,5$ HD (copper) CONICAL
	5241855	7945485		7945485/C		Tip $\phi 2,0$ HD (copper) CONICAL
	5241856	7945487		7945487/C		Tip $\phi 2,5$ HD (copper) CONICAL
	5241857	7945489		7945489/C		Tip $\phi 3,0$ HD (copper) CONICAL
	5241877	7945491		7945491/C		Tip $\phi 3,5$ HD (copper) CONICAL
5	-----	7945483/INS		7945483/INS/C		Tip $\phi 1,0$ HD (copper) W/Insert
	-----	7945486/INS		7945486/INS/C		Tip $\phi 1,2$ HD (copper) W/Insert
	-----	7945484/INS		7945484/INS/C		Tip $\phi 1,5$ HD (copper) W/Insert
	-----	7945485/INS		7945485/INS/C		Tip $\phi 2,0$ HD (copper) W/Insert
	-----	7945487/INS		7945487/INS/C		Tip $\phi 2,5$ HD (copper) W/Insert
	-----	7945489/INS		7945489/INS/C		Tip $\phi 3,0$ HD (copper) W/Insert
6	G8040180	G8040180		G8040180/C		Tip w/Insert and spring $\phi 2,5$ - inner $\phi 1,3$
	G8040135	G8040135		G8040135/C		Tip w/Insert and spring $\phi 2,5$ - inner $\phi 1,5$
	G8040132	G8040132		G8040132/C		Tip w/Insert and spring $\phi 3,0$ - inner $\phi 2,0$
7	290002	P0492-702-00001		-----	----	Plastic ring
		P0492-702-00002		-----	----	Plastic ring
8	71366453	71366453		-----	----	O-ring
9	P0360-100-00500	P0360-100-00500		-----	----	Sensor cable KE500Z
	P0497-002-00450	P0497-002-00450		-----	----	Sensor cable KE450Z

REPLACEMENT PARTS SUITABLE FOR

MITSUBISHI®  
MITSUBISHI® W220



**NOZZLES ARE PACKED IN SINGLE BOXES,  
EXCEPT POSITION 5, WHICH IS PACKED IN 10er BOXES**

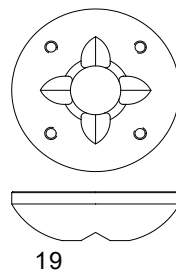
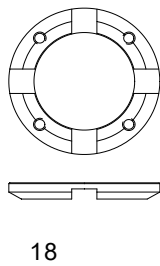
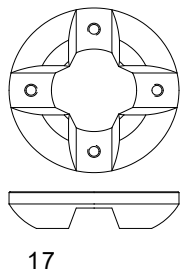
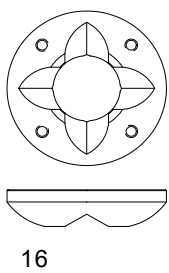
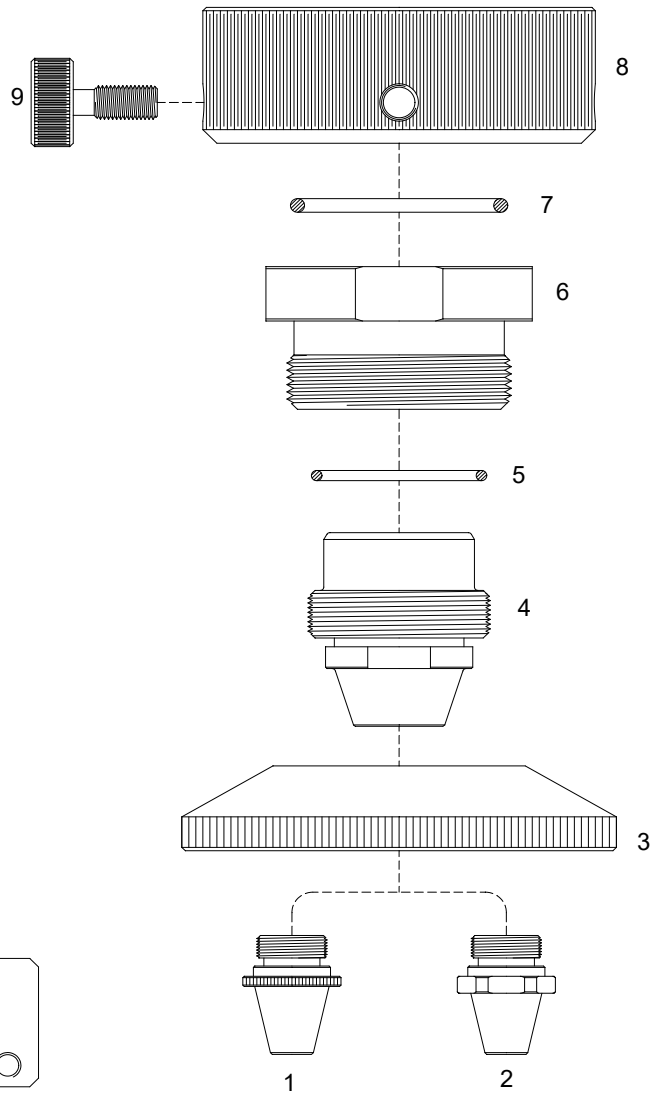
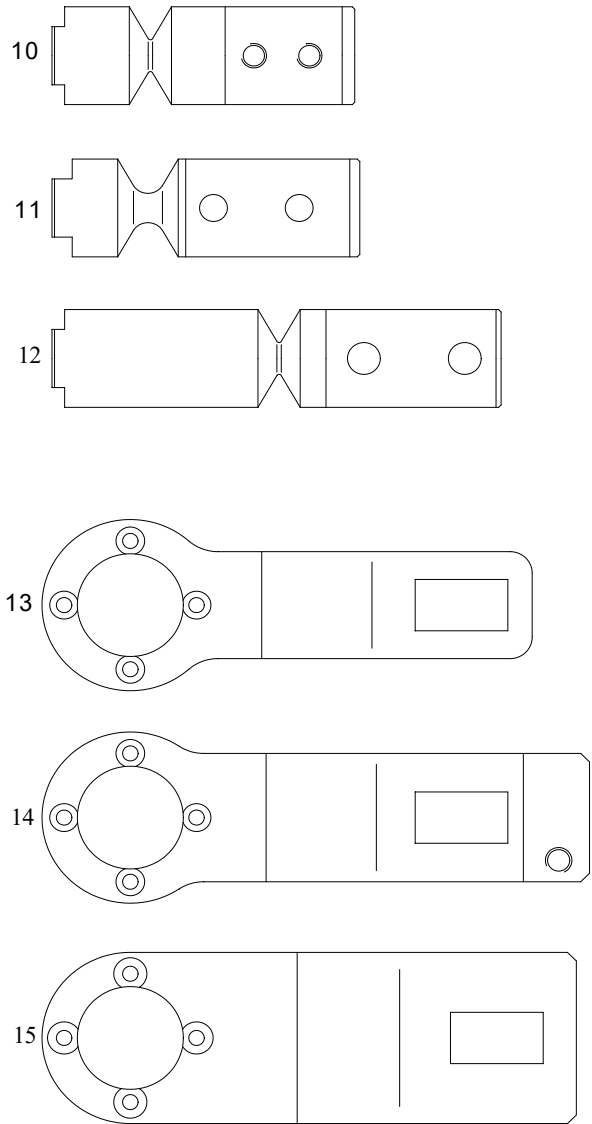
Item	Ref.	Code std.	Euro	Cod. chromed	Euro	Description
1	W390	W390		-----	-----	Double nozzle insert 4 hole
	W270-6	W270-6		-----	-----	Double nozzle insert 6 hole
	W270	W270		-----	-----	Double nozzle insert 8 hole
	W387	W387		-----	-----	Double nozzle insert 12 hole
	W388	W388		-----	-----	Double nozzle insert 16 hole
	W389	W389		-----	-----	Double nozzle insert 20 hole
	W515	W515		-----	-----	Double nozzle insert 24 hole
	2	W269	W269		-----	-----
3	W265	W265		-----	-----	Nozzle ø 1.0
	W266	W266		-----	-----	Nozzle ø 1.5
	W267	W267		-----	-----	Nozzle ø 2.0
	W776	W776		-----	-----	Nozzle ø 2.5
	W268	W268		-----	-----	Nozzle ø 3.0
	W268-35	W268-35		-----	-----	Nozzle ø 3.5
4	W263	W263		-----	-----	Nozzle nut
5	W001-10	W001-10		-----	-----	Nozzle ø 1.0
	W001	W001		-----	-----	Nozzle ø 1.5
	W002	W002		-----	-----	Nozzle ø 2.0
	W002-25	W002-25		-----	-----	Nozzle ø 2.5
	W003	W003		-----	-----	Nozzle ø 3.0
6	P0494-752-00001	280408	on request	-----	-----	Nozzle holder <b>original</b> Precitec®

REPLACEMENT PARTS SUITABLE FOR  
**ACCESSORIES FOR MAZAK®**

Code std.	Euro	Description
123602		<b>ACCESSORIES FOR LENSES</b> Lens cleaning fluid ml. 250
240568/50		Polish - 50 ml.
10466		Lens cleaning paper - (1 package contains 50 pcs. - price is per package)
INDIUM 1		Indium $\varnothing$ 1,0 mm. x L. 120 mm. (lens $\varnothing$ 1,5)
INDIUM 2		Indium $\varnothing$ 1,0 mm. x L. 160 mm. (lens $\varnothing$ 2,0)
		<b>VARIOUS</b>
Z21KV000580		Support M 6 w/sphere $\varnothing$ 25 mm. H. 16,5 mm.
46575100321		Support $\varnothing$ 25 w/sphere Inox H. 41,5 mm.
Z21ZZ001160		Support M 8 w/sphere $\varnothing$ 30 mm. H. 21 mm.
46705100050		Support long $\varnothing$ 25 for sphere Inox H. 66 mm.
MAN25		Manometer 25 bar

REPLACEMENT PARTS SUITABLE FOR

**MAZAK®**  
**Turbo 10 KW**  
**Super Turbo 15 KW**  
**Super Turbo HI-PRO 20 KW**



REPLACEMENT PARTS SUITABLE FOR

**MAZAK®**  
**Turbo 10 KW**  
**Super Turbo 15 KW**  
**Super Turbo HI-PRO 20 KW**

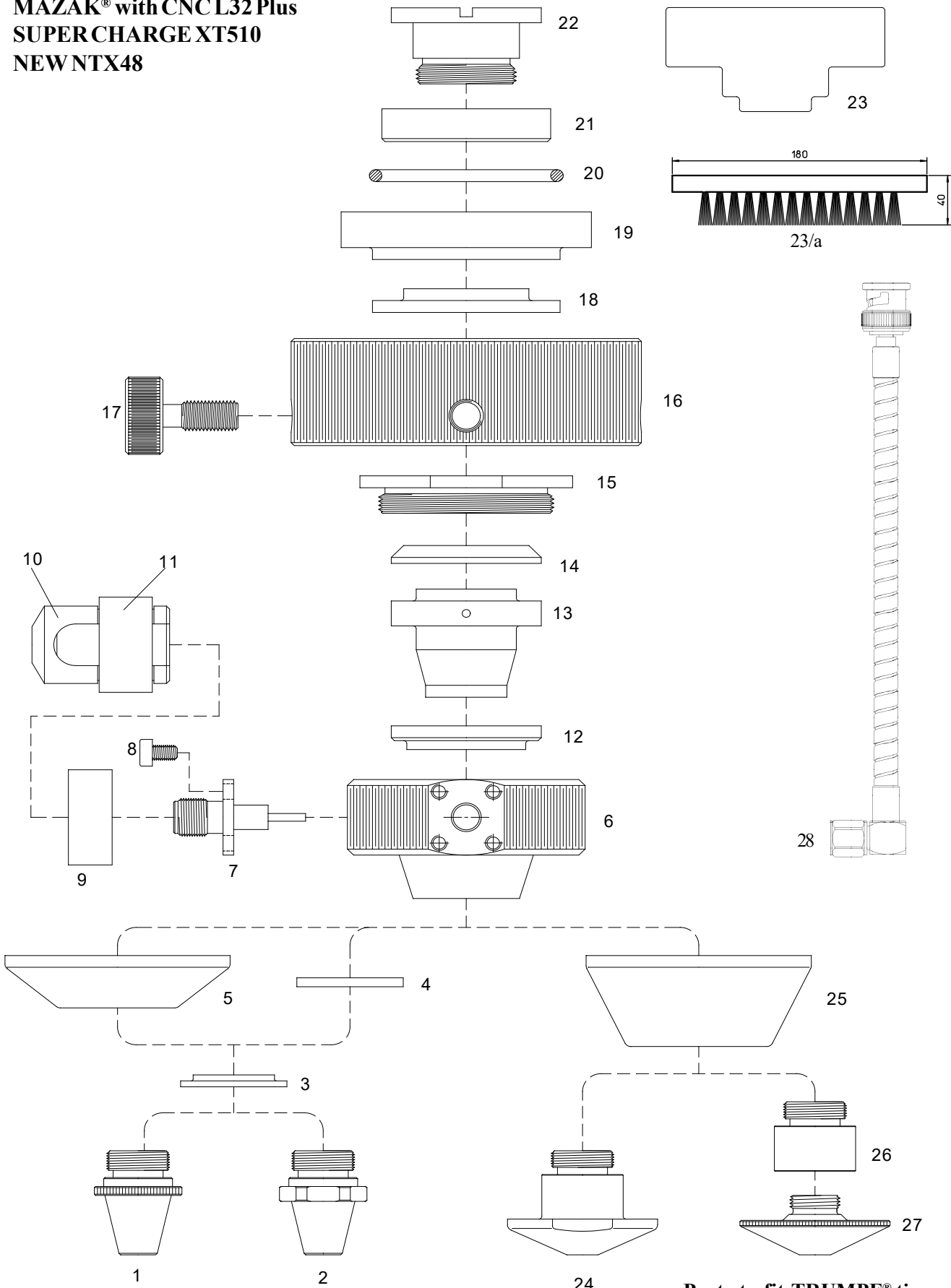
**NOZZLES ARE PACKED IN 10er BOXES**

Item	Ref.	Code std.	Euro	Cod. -chromed	Euro	Description
1	46606330523	46606330523		-----	----	Tip ø 0.8 Shower type <b>Until sod out</b>
	46606330523	46606330523.15		-----	----	Tip ø 1.5 Shower type <b>Until sodl out</b>
2	46603350508	46603350508		46603350508C		Tip ø 0.8
	46603350511	46603350511		46603350511C		Tip ø 1.0
	46603350512	46603350512		46603350512C		Tip ø 1.2
	46603350515	46603350520		46603350520C		Tip ø 1.5
	46603350517	46603350517		46603350517C		Tip ø 1.7
	46603350520	46603350522		46603350522C		Tip ø 2.0
	46603350522	46603350523		46603350523C		Tip ø 2.2
	46603350525	46603350525		46603350525C		Tip ø 2.5
	46603350530	46603350530		46603350530C		Tip ø 3.0
	-----	4660335052A		4660335052A/C		Tip ø 1,2 - Double nozzle
	-----	4660335052B		4660335052B/C		Tip ø 1,5 - Double nozzle
	-----	4660335052F		4660335052F/C		Tip ø 1,8 - Double nozzle
	-----	4660335052C		4660335052C/C		Tip ø 2,0 - Double nozzle
	-----	4660335052G		4660335052G/C		Tip ø 2,2 - Double nozzle
	-----	4660335052D		4660335052D/C		Tip ø 2,5 - Double nozzle
	-----	4660335052E		4660335052E/C		Tip ø 3,0 - Double nozzle
3	46683300030	46683300030		-----	----	Retainer
4	46603350510	46603350510		-----	----	Tip adapter
5	-----	46603350003		-----	----	O-Ring ø 22x1.5 - 10 pcs. (single price)
6	46523300080	46523300080		-----	----	Base
7	46603350001	46603350001		-----	----	O-Ring ø 31x2 - 10 pcs. (single price)
8	46603350002	46683300930		-----	----	Ring
9	46603300032	46603300032		-----	----	Bolt M5x0.5 - 4 pcs. (single price)
10	36682300280	36682300280		-----	----	Break-away bar 60 mm.
11	36572300101	36572300101		-----	----	Break-away bar 61 mm.
12	36602300550	36602300550		-----	----	Break-away bar 89 mm.
13	36602300560	36602300560		-----	----	Stylus Arm
14	36602300580	36602300580		-----	----	Stylus Arm
15	36602350020	36602350020		-----	----	Stylus Arm
16	46572301043	46572301043		-----	----	Stylus foot - steel 9 mm
	46572301045	46572301045		-----	----	Stylus foot - Teflon® 9 mm
17	46602350080	46602350080		-----	----	Stylus foot - brass 9 mm
18	46512300520	46512300520		-----	----	Stylus foot - brass 4 mm
19	46572301041	46572301041		-----	----	Stylus foot - brass 12 mm

ACB International v.o.f. is in no way affiliated with MAZAK®. The parts advertised for sale are not genuine MAZAK® parts, but are parts made for and by ACB International v.o.f. Reference to MAZAK® machine and numbers are for your convenience only. We reserve the right to substitute genuine MAZAK® parts in place of ACB International v.o.f. parts. Teflon® is a registered trademark of DuPont.

REPLACEMENT PARTS SUITABLE FOR

**MAZAK® with CNC L32 Plus  
SUPERCHARGE XT510  
NEW NTX48**



**Parts to fit TRUMPF® tips  
SEE PAGE. 48**

ACB International v.o.f. is in no way affiliated with MAZAK® TRUMPF®. The parts advertised for sale are not genuine MAZAK® TRUMPF® parts, but are parts made for and by ACB International v.o.f.. Reference to MAZAK® TRUMPF® machine and numbers are for your convenience only. We reserve the right to substitute genuine MAZAK® TRUMPF® parts in place of ACB International v.o.f. parts. Teflon® is a registered trademark of DuPont.



**REPLACEMENT PARTS SUITABLE FOR  
MAZAK® with CNC L32 Plus SUPER CHARGE XT510 NEW NTX48**

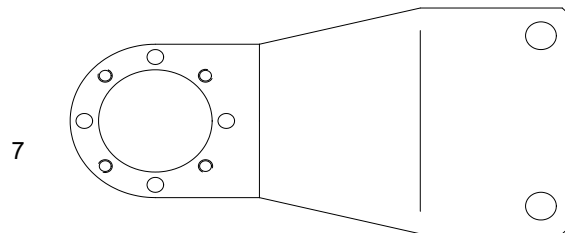
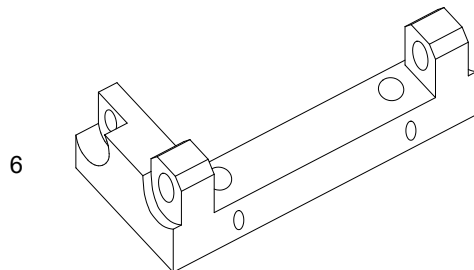
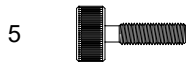
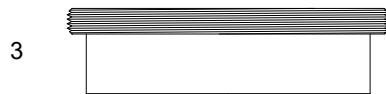
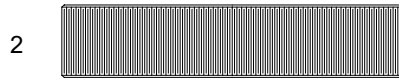
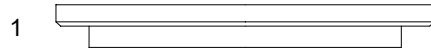
**NOZZLES ARE PACKED IN 10er BOXES**

Item	Ref.	Code std.	Euro	Cod. chromed	Euro	Description
1	46606330523	46606330523		-----	----	Tip ø 0.8 Shower type <b>Until sold out</b>
	46606330523.15	46606330523.15		-----	----	Tip ø 1.5 Shower type <b>Until sold out</b>
2	46603350508	46603350508		46603350508C		Tip ø 0.8
	46603350511	46603350511		46603350511C		Tip ø 1.0
	46603350512	46603350512		46603350512C		Tip ø 1.2
	46603350515	46603350520		46603350520C		Tip ø 1.5
	46603350517	46603350517		46603350517C		Tip ø 1.7
	46603350520	46603350522		46603350522C		Tip ø 2.0
	46603350522	46603350523		46603350523C		Tip ø 2.2
	46603350525	46603350525		46603350525C		Tip ø 2.5
	46603350530	46603350530		46603350530C		Tip ø 3.0
	-----	4660335052A		4660335052A/C		Tip ø 1,2 - Double nozzle
	-----	4660335052B		4660335052B/C		Tip ø 1,5 - Double nozzle
	-----	4660335052F		4660335052F/C		Tip ø 1,8 - Double nozzle
	-----	4660335052C		4660335052C/C		Tip ø 2,0 - Double nozzle
	-----	4660335052G		4660335052G/C		Tip ø 2,2 - Double nozzle
	-----	4660335052D		4660335052D/C		Tip ø 2,5 - Double nozzle
	-----	4660335052E		4660335052E/C		Tip ø 3,0 - Double nozzle
3	46683301160	46683301160		-----	----	Ring
4	46683301150	46683301150		-----	----	Spacer Teflon®
5	46683301930	46683301930		-----	----	Teflon® cover
	46683301930	46683301930/P		-----	----	Teflon® cover Long Life Plastica
6	46683301140	46683301140		-----	----	Housing
7	46683301170	46683301170		-----	----	Connector
8	46683300000	46683300000		-----	----	Screw M2.5x4 - (4 pcs.) (single price)
9	46683301850	46683301850		-----	----	Cover
10	46683301860	46683301860		-----	----	Cover
11	46683301870	46683301870		-----	----	Cover
12	46683301130	46683301130		-----	----	Ring 24X4
	46683301130	46683301130/P		-----	----	Ring 24X4 Long Life Plastic
13	46683300850	46683300850		-----	----	Nozzle body
14	46683301120	46683301120		-----	----	Ring 24x3
	46683301120	46683301120/P		-----	----	Ring 24x3 Long Life Plastic
15	46683301100	46683301100		-----	----	Bracket
16	46683300930	46683300930		-----	----	Ring
17	46603300032	46603300032		-----	----	Bolt M5x0.5 (4 pcs.) (single price)
18	46683301090	46683301090		-----	----	Ring 30x4
	46683301090	46683301090/P		-----	----	Ring 30x4 Long Life Plastic
19	46683301070	46683301070		-----	----	Base
20	46603350001	46603350001		-----	----	O-Ring ø 31x2 (10 pcs.) (single price)
21	46683301080	46683301080		-----	----	Ring 27x5.5
	46683301080	46683301080/P		-----	----	Ring 27x5.5 Long Life Plastic
22	46683301110	46683301110		-----	----	Bracket
23	46683301230	46683301230		-----	----	Plate
23/a		4668339999		-----	----	Brush 180X30X20 w/screws
		333884		-----	----	Screws (2 pcs.)
24	46683301950-08	46683301950-08		46683301950-08/C		Tip ø 0.8-Side Blow
	46683301950-10	46683301950-10		46683301950-10/C		Tip ø 1.0-Side Blow
	46683301950-12	46683301950-12		46683301950-12/C		Tip ø 1.2-Side Blow
	46683301950	46683301950		46683301950/C		Tip ø 1.5-Side Blow
	46683301821	46683301821		46683301821/C		Tip ø 2.0-Side Blow
	46683301821-22	46683301821-22		46683301821-22/C		Tip ø 2.2-Side Blow
	46683301960	46683301960		46683301960/C		Tip ø 2.5-Side Blow
	46683301970	46683301970		46683301970/C		Tip ø 3.0-Side Blow
	46683301970-35	46683301970-35		46683301970-35/C		Tip ø 3.5-Side Blow
	46683301970-40	46683301970-40		46683301970-40/C		Tip ø 4.0-Side Blow
	46683301950-10	46683301950-10/INS*		-----	----	Tip ø 1.0-Side Blow/Double nozzle
	46683301950-12	46683301950-12/INS*		-----	----	Tip ø 1.0-Side Blow/Double nozzle
	46683301950	-----	----	46683301950/INS/C*		Tip ø 1.5-Side Blow/Double nozzle
	46683301821	-----	----	46683301821/INS/C*		Tip ø 2.0-Side Blow/Double nozzle
	46683301970	46683301970/INS*		-----	----	Tip ø 3.0-Side Blow/Double nozzle
		<b>*Until sold out</b>				
28	46683301980	46683301980		-----	----	Sensor cable
				<b>PARTS TO FIT TRUMPF® TIPS</b>		
25	46683301841	46683301841		-----	----	Teflon® cover for TRUMPF® tips
26	46683301830	46683301830		-----	----	Adapter for TRUMPF® tips

ACB International v.o.f. is in no way affiliated with MAZAK® TRUMPF®. The parts advertised for sale are not genuine MAZAK® TRUMPF® parts, but are parts made for and by ACB International v.o.f.. Reference to MAZAK® TRUMPF® machine and numbers are for your convenience only. We reserve the right to substitute genuine MAZAK® TRUMPF® parts in place of ACB International v.o.f. parts. Teflon® is a registered trademark of DuPont.

REPLACEMENT PARTS SUITABLE FOR

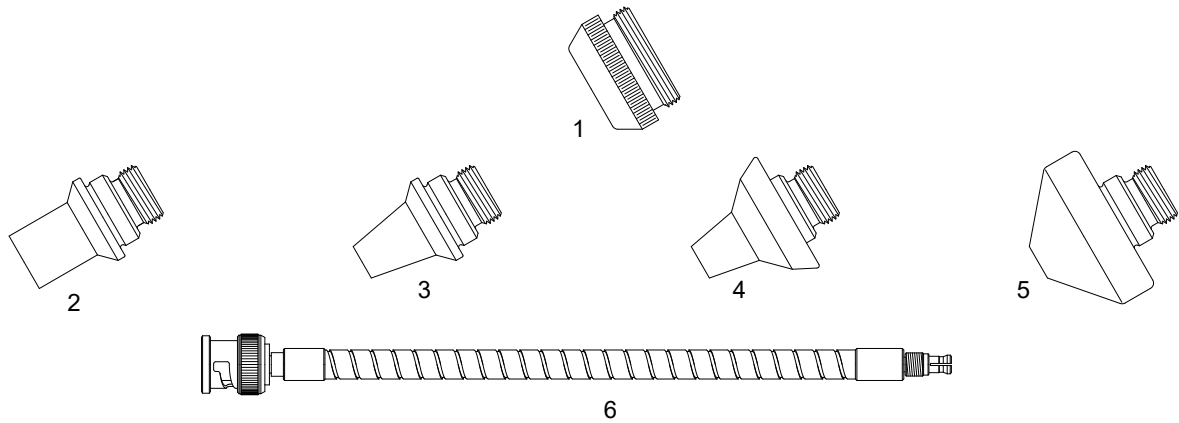
MAZAK®



Item	Ref.	Code std.	Euro	Description
1	46542800100	46542800100		Cap <b>(until sold out)</b>
2	46523300050	46523300050		Ring <b>(until sold out)</b>
3	46523300017	46523300017		Collar <b>(until sold out)</b>
5	46523300070	46523300070		Bolt M5x0.5 (4 pcs) (single price) <b>(until sold out)</b>
6	26512300241	26512300241		Bracket <b>(until sold out)</b>
7	46522300250	46523300250		Stylus arm <b>(until sold out)</b>
N/S	46583301720	46583301720		Retainer nut <b>(until sold out)</b>

REPLACEMENT PARTS SUITABLE FOR

**MAZAK® 3D**  
**PRECITEC® 5"C/MG - 5"H/MG - DE M 1.5"**

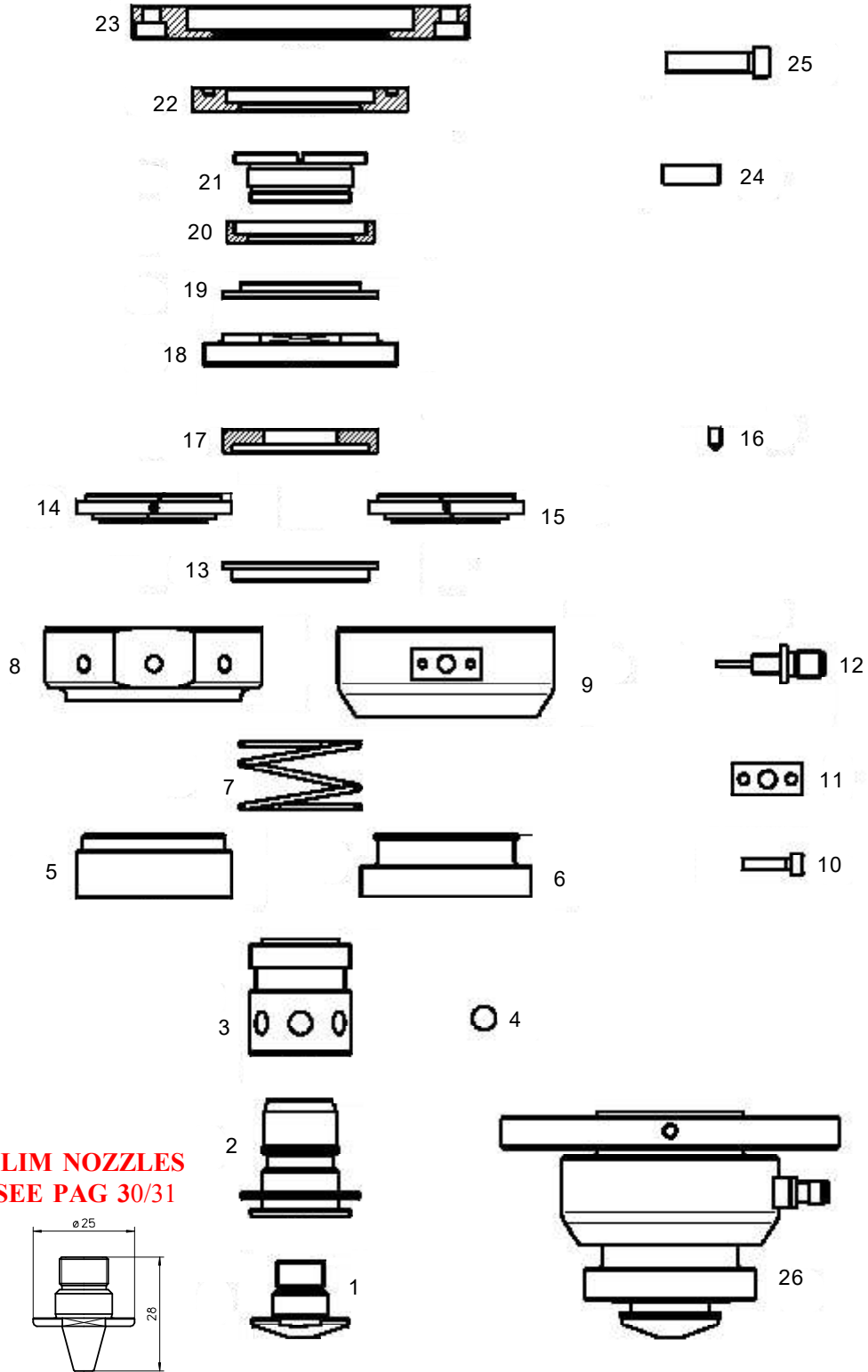


**NOZZLES ARE PACKED IN 10er BOXES**

Item	Ref.	Code std.	Euro	Description
1	4671330032	4671330032		Ring
2	P0352-323-00010	281005		Tip C/H $\phi$ 1.0 ZK (281005)
	P0352-324-00012	281034		Tip C/H $\phi$ 1.2 ZK (281034)
	P0352-325-00015	281013		Tip C/H $\phi$ 1.5 ZK (281013)
	P0352-326-00018	280899		Tip C/H $\phi$ 1.8 ZK (280899)
	P0352-327-00020	280899.20		Tip C/H $\phi$ 2.0 ZK (280899.20)
		280899.25		Tip C/H $\phi$ 2.5 ZK (280899.25)
		280899.30		Tip C/H $\phi$ 3.0 ZK (280899.30)
3	P0491-165-00010	281006		Tip C/H $\phi$ 1.0 KK (281006)
	P0491-165-00012	281030		Tip C/H $\phi$ 1.2 KK (281030)
	P0491-165-00015	281031		Tip C/H $\phi$ 1.5 KK (281031)
	P0491-165-00018	280898		Tip C/H $\phi$ 1.8 KK (280898)
	P0491-165-00020	280898.20		Tip C/H $\phi$ 2.0 KK (282898.20)
4	P0352-381-00010	P0352-381-00010		Tip $\phi$ 1,0 3D
	P0352-381-00012	P0352-381-00012		Tip $\phi$ 1,2 3D
	P0352-381-00015	P0352-381-00015		Tip $\phi$ 1,5 3D
	P0352-381-00018	P0352-381-00018		Tip $\phi$ 1,8 3D
	P0352-382-00020	P0352-382-00020		Tip $\phi$ 2,0 3D
	P0352-382-00025	P0352-382-00025		Tip $\phi$ 2,5 3D
5	P0352-386-00010	P0352-386-00010		Tip $\phi$ 1,0 2D
	P0352-386-00012	P0352-386-00012		Tip $\phi$ 1,2 2D
	P0352-386-00015	P0352-386-00015		Tip $\phi$ 1,5 2D
	P0352-386-00018	P0352-386-00018		Tip $\phi$ 1,8 2D
	P0352-387-00020	P0352-387-00020		Tip $\phi$ 2,0 2D
	P0352-387-00025	P0352-387-00025		Tip $\phi$ 2,5 2D
	P0352-387-00030	P0352-387-00030		Tip $\phi$ 3,0 2D
6	P0360-155-00500	281386/A		Sensor head connecting cable

REPLACEMENT PARTS SUITABLE FOR

MAZAK®  
HYPER GEAR



**REPLACEMENT PARTS SUITABLE FOR**

**MAZAK®  
HYPER GEAR**

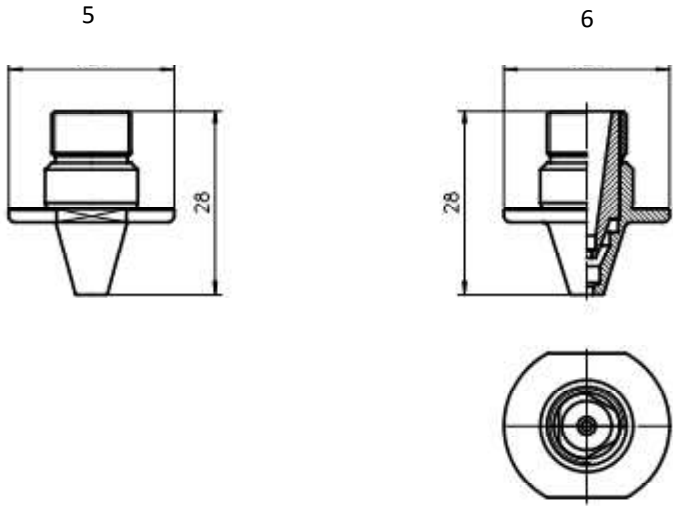
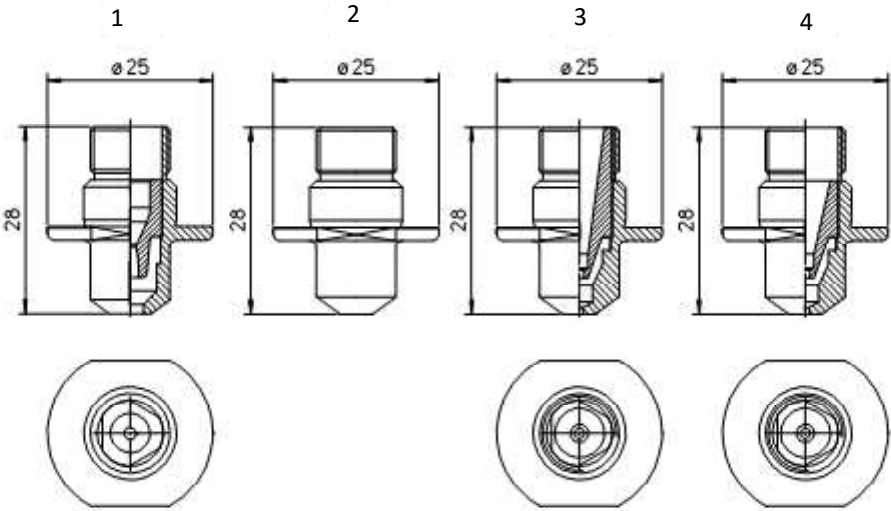
**NOZZLES ARE PACKED IN SINGLE BOXES**

Item	Ref.	Code	Euro	Description
1	46143304440	46143304440		Nozzle ø 1,2 chromed
	46143304450	46143304450		Nozzle ø 1,5 chromed
	46143304460	46143304460		Nozzle ø 2,0 chromed
	46143304480	46143304480		Nozzle ø 2,5 chromed
	46143304490	46143304490		Nozzle ø 3,0 chromed
	46143304500	46143304500		Nozzle ø 3,5 chromed
	46143304510	46143304510		Nozzle ø 4,0 chromed
	46143304440	46143304440/INS		Nozzle ø 1,2 chromed with insert
	46143304450	46143304450/INS		Nozzle ø 1,5 chromed with insert
	46143304460	46143304460/INS		Nozzle ø 2,0 chromed with insert
	46143304480	46143304480/INS		Nozzle ø 2,5 chromed with insert
	46143304490	46143304490/INS		Nozzle ø 3,0 chromed with insert
	46143304500	46143304500/INS		Nozzle ø 3,5 chromed with insert
	46143304510	46143304510/INS		Nozzle ø 4,0 chromed with insert
2	36143304420	36143304420		Nozzle adapter
3	36143304400	36143304400		Coupler
4	46143300230	46143300230		Kit ball (6 pcs.) (single price)
5	46143304430	46143304430		Spring retainer
6	46143308000	46143308000		Spring retainer steel
7	46143300220	46143300220		Spring
8	36143303242	36143303542		Body
9	36143307980	36143307980		Alluminium body
10	46603300030	46603300030		Set screw for connector (2 pcs.) (single price)
11	46143308170	46143308170		Spacer for connector All.
12	46143308190	46143308190		Connector
13	46143300240	46143300240		Insulator ceramic 40x5
	46143300240	46143300240/T		Insulator Teflon® 40x5
14	46143304250	46143304250		Retainer nut with hole ø 2,0
15	46143307420	46143307420		Retainer nut with hole ø 1,3
16		46683301188		Screw
17		46143304441		Insulator ceramic 40x6
		46143304441/T		Insulator Teflon® 40x6
18	46143300290	46143300290		Retainer nut
19	46143300260	46143300260		Insulator ceramic 40x4
	46143300260	46143300260/T		Insulator Teflon® 40x4
20	46143300270	46143300270		Insulator ceramic 38x5,5
	46143300270	46143300270/T		Insulator Teflon® 38x5,5
21	46143300280	46143300280		Retainer nut with cone
22	46143300320	46143300320		Ring brass
23	36143300332	36143300332		Ring alluminium
24		46143308200		Set Screws for head (4 pcs.) (single price)
25	A06CB040200	A06CB040200		Set Screws for head (4 pcs.) (single price)
26		46100000000		Head with ceramic spacer

ACB International v.o.f. is in no way affiliated with MAZAK®. The parts advertised for sale are not genuine MAZAK® parts, but are parts made for and by ACB International v.o.f.. Reference to MAZAK® machine and numbers are for your convenience only. We reserve the right to substitute genuine MAZAK® parts in place of ACB International v.o.f. parts. Teflon® is a registered trademark of DuPont.

**REPLACEMENT PARTS SUITABLE FOR**

**MAZAK®  
HYPERGEAR**



**NOZZLES ARE PACKED IN SINGLE BOXES**

ACB International v.o.f. is in no way affiliated with MAZAK®. The parts advertised for sale are not genuine MAZAK® parts, but are parts made for and by ACB International v.o.f.. Reference to MAZAK® machine and numbers are for your convenience only. We reserve the right to substitute genuine MAZAK® parts in place of ACB International v.o.f. parts.

**MAZAK®  
HYPERGEAR**

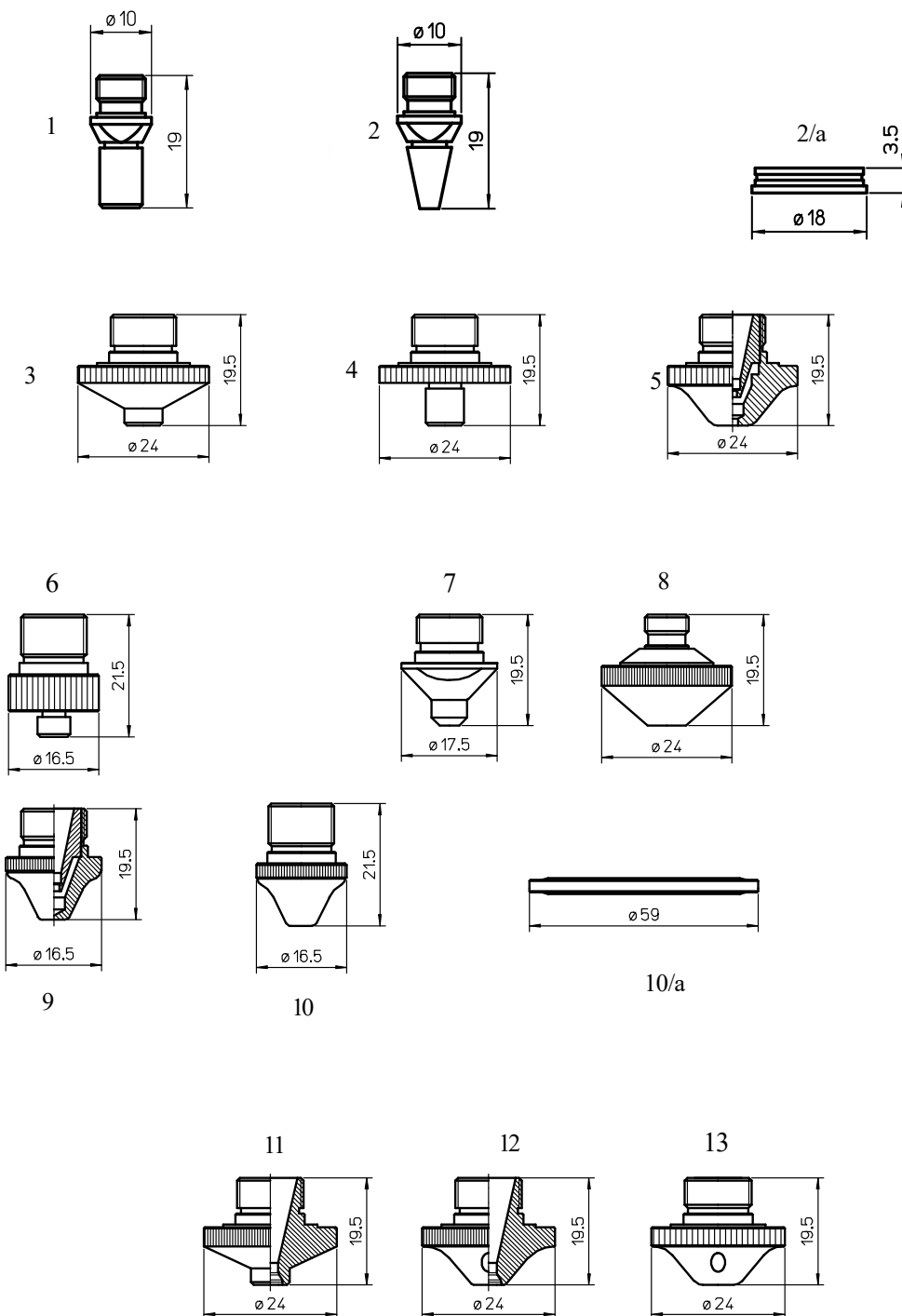
**REPLACEMENT PARTS SUITABLE FOR**

Item	Ref.	Code	Euro	Description	
1		36137301571		Nozzle Pencil Sus ø 3,0 w/insert, chromed	
		36137301572		Nozzle Pencil Sus ø 3,5 w/insert, chromed	
		36137301573		Nozzle Pencil Sus ø 4,0 w/insert, chromed	
		36137301574		Nozzle Pencil Sus ø 4,5 w/insert, chromed	
		36137301575		Nozzle Pencil Sus ø 5,0 w/insert, chromed	
	2		36143301580		Nozzle Pencil ø 0,8 chomed
06283301190		06283301190		Nozzle Pencil ø 1,0 chomed	
36143312220		36143312220		Nozzle Pencil ø 1,2 chomed	
36143312230		36143312230		Nozzle Pencil ø 1,5 chomed	
		36143301584		Nozzle Pencil ø 1,8 chomed	
31643312240		36143312240		Nozzle Pencil ø 2,0 chomed	
		36143301586		Nozzle Pencil ø 2,2 chomed	
36143312250		36143312250		Nozzle Pencil ø 2,5 chomed	
36143312260		36143312260		Nozzle Pencil ø 3,0 chomed	
36143312270		36143312270		Nozzle Pencil ø 3,5 chomed	
36143312280		36143312280		Nozzle Pencil ø 4,0 chomed	
06143355590		06143355590		Nozzle Pencil ø 4,5 chomed	
		06283301030		Nozzle Pencil ø 5,0 chomed	
06283301830		06283301830		Nozzle Pencil ø 5,5 chomed	
3			36143312308		Nozzle Pencil ø 0,8 w/insert, chromed
			36143312310		Nozzle Pencil ø 1,0 w/insert, chromed
			36143312312		Nozzle Pencil ø 1,2 w/insert, chromed
		36143312300	36143312300		Nozzle Pencil ø 1,5 w/insert, chromed
		36143312318		Nozzle Pencil ø 1,8 w/insert, chromed	
	36143312311	36143312311		Nozzle Pencil ø 2,0 w/insert, chromed	
		36143312322		Nozzle Pencil ø 2,2 w/insert, chromed	
	36143312320	36143312320		Nozzle Pencil ø 2,5 w/insert, chromed	
	36143312330	36143312330		Nozzle Pencil ø 3,0 w/insert, chromed	
	36143312340	36143312340		Nozzle Pencil ø 3,5 w/insert, chromed	
	36143312350	36143312350		Nozzle Pencil ø 4,0 w/insert, chromed	
	Q6143312360	36143312360		Nozzle Pencil ø 4,5 w/insert, chromed	
	Q6143312370	36143312370		Nozzle Pencil ø 5,0 w/insert, chromed	
	4		06143355350		Nozzle Pencil ø 4,0-1,2 w/insert, chromed
		06143355360	06143355360		Nozzle Pencil ø 4,0-1,4 w/insert, chromed
06143355370		06143355370		Nozzle Pencil ø 4,0-1,8 w/insert, chromed	
06283301050		06283301050		Nozzle Pencil ø 4,5-1,2 w/insert, chromed	
06283301200		06283301200		Nozzle Pencil ø 5,0-1,2 w/insert, chromed	
0628801840		0628801840		Nozzle Pencil ø 5,5-1,2 w/insert, chromed	
5			46143310331		Nozzle SLIM ø 0,8 chromed
		46143310340		Nozzle SLIM ø 1,0 chromed	
	46143310340	46143310341		Nozzle SLIM ø 1,2 chromed	
	46143310351	46143310351		Nozzle SLIM ø 1,5 chromed	
		46143310358		Nozzle SLIM ø 1,8 chromed	
	46143310361	46143310361		Nozzle SLIM ø 2,0 chromed	
		46143310322		Nozzle SLIM ø 2,2 chromed	
	46143310371	46143310371		Nozzle SLIM ø 2,5 chromed	
	46143310381	46143310381		Nozzle SLIM ø 3,0 chromed	
	46143310391	46143310392		Nozzle SLIM ø 3,5 chromed	
	46143310401	46143310402		Nozzle SLIM ø 4,0 chromed	
6		36143311300		Nozzle SLIM ø 0,8 w/insert, chromed	
		36143311311		Nozzle SLIM ø 1,0 w/insert, chromed	
		36143311501		Nozzle SLIM ø 1,2 w/insert, chromed	
	36143311500	36143311500		Nozzle SLIM ø 1,5 w/insert, chromed	
		36143311319		Nozzle SLIM ø 1,8 w/insert, chromed	
	36143311510	36143311510		Nozzle SLIM ø 2,0 w/insert, chromed	
		36143311322		Nozzle SLIM ø 2,2 w/insert, chromed	
	36143311520	36143311520		Nozzle SLIM ø 2,5 w/insert, chromed	
	36143311530	36143311530		Nozzle SLIM ø 3,0 w/insert, chromed	
	36143312380	36143312380		Nozzle SLIM ø 3,5 w/insert, chromed	
	36143312390	36143312390		Nozzle SLIM ø 4,0 w/insert, chromed	
		36143312345		Nozzle SLIM ø 4,5 w/insert, chromed	
		36143312355		Nozzle SLIM ø 5,0 w/insert, chromed	

ACB International v.o.f. is in no way affiliated with MAZAK®. The parts advertised for sale are not genuine MAZAK® parts, but are parts made for and by ACB International v.o.f.. Reference to MAZAK® machine and numbers are for your convenience only. We reserve the right to substitute genuine MAZAK® parts in place of ACB International v.o.f. parts. Teflon® is a registered trademark of DuPont.

**PRIMA INDUSTRIE®**

**REPLACEMENT PARTS SUITABLE FOR**



**NOZZLES OF POSITION 1 AND 2 ARE PACKED IN 10er BOXES  
ALL THE OTHER NOZZLES ARE PACKED IN SINGLE BOXES**



**PRIMA INDUSTRIE®** **REPLACEMENT PARTS SUITABLE FOR**

Item	Ref.	Code std.	Euro	Code Chromed	Euro	Description
1	485.73.114D	485.73.114D		485.73.114D/C		Tip Copper ø 1,0
	485.73.114A	485.73.114A		485.73.114A/C		Tip Copper ø 1,2
	485.73.114C	485.73.114C		485.73.114C/C		Tip Copper ø 1,5
	485.73.114B	485.73.114B		485.73.114B/C		Tip Copper ø 1,7
	485.73.114E	485.73.114E		485.73.114E/C		Tip Copper ø 2,0
	485.73.114F	485.73.114F		485.73.114F/C		Tip Copper ø 2,5
	485.73.114G	485.73.114G		485.73.114G/C		Tip Copper ø 3,0
2	485.73.115B	485.73.115B		485.73.115B/C		Tip Copper ø 1,0 tapered
	485.73.115D	485.73.115D		485.73.115D/C		Tip Copper ø 1,2 tapered
	485.73.115A	485.73.115A		485.73.115A/C		Tip Copper ø 1,5 tapered
	485.73.115E	485.73.115E		485.73.115E/C		Tip Copper ø 1,7 tapered
	485.73.115C	485.73.115C		485.73.115C/C		Tip Copper ø 2,0 tapered
	485.73.115F	485.73.115F		485.73.115F/C		Tip Copper ø 2,5 tapered
2/a	487.73.107	487.73.107		-----	-----	Plastic ring for lens 5"
	-----	487.73.775		-----	-----	Plastic ring for lens 7,5"
3	LW6.1E.111	485.73.115		485.73.115/C		Tip Copper ø 1,5
	LW6.1E.112	485.73.120		485.73.120/C		Tip Copper ø 2,0
	LW6.1E.113	485.73.125		485.73.125/C		Tip Copper ø 2,5
	LW6.1E.114	485.73.130		485.73.130/C		Tip Copper ø 3,0
4	LW6.1G.500	LW6.1G.500		-----	-----	Tip Copper ø 1,5
	LW6.1G.501	LW6.1G.501		LW6.1G.501/C		Tip Copper ø 2,0
	LW6.1G.502	LW6.1G.502		LW6.1G.502/C		Tip Copper ø 2,5
	LW6.1G.503	LW6.1G.503		LW6.1G.503/C		Tip Copper ø 3,0
5	1059.70000.003	-----	-----	1059.70000.003		Tip Copper ø 1,0 w/Insert
	1059.70000.008	-----	-----	1059.70000.008		Tip Copper ø 1,25 w/Insert
	1059.70000.004	-----	-----	1059.70000.004		Tip Copper ø 1,5 w/Insert
	1059.70000.009	-----	-----	1059.70000.009		Tip Copper ø 1,75 w/Insert
	1059.70000.005	-----	-----	1059.70000.005		Tip Copper ø 2,0 w/Insert
	1059.70000.006	-----	-----	1059.70000.006		Tip Copper ø 2,5 w/Insert
	1059.70000.007	-----	-----	1059.70000.007		Tip Copper ø 3,0 w/Insert
6	787.04.508	787.04.508		-----	-----	Tip Copper ø 1,5
	787.04.509	787.04.509		-----	-----	Tip Copper ø 2,0
	787.04.510	787.04.510		-----	-----	Tip Copper ø 2,5
	787.04.511	787.04.511		-----	-----	Tip Copper ø 3,0
7	-----	LW6.1D.510		LW6.1D.510/C		Tip Copper ø 1,5 Domino
	-----	LW6.1D.511		LW6.1D.511/C		Tip Copper ø 2,0 Domino
	-----	LW6.1D.512		LW6.1D.512/C		Tip Copper ø 2,5 Domino
	-----	LW6.1D.513		LW6.1D.513/C		Tip Copper ø 3,0 Domino
8	LW3.1E.100	LW3.1E.100		-----	-----	Tip Copper ø 1,0
	LW3.1E.101	LW3.1E.101		-----	-----	Tip Copper ø 1,5
	LW3.1E.102	LW3.1E.102		-----	-----	Tip Copper ø 2,0
	LW3.1E.103	LW3.1E.103		-----	-----	Tip Copper ø 2,5
	LW3.1E.104	LW3.1E.104		-----	-----	Tip Copper ø 3,0
9	520.17.111	-----	-----	520.17.111		Tip Copper ø 1,5 w/Insert
	520.17.114	-----	-----	520.17.114		Tip Copper ø 2,0 w/Insert
	750.43.560	-----	-----	750.43.560		Tip Copper ø 2,5 w/Insert
	750.43.561	-----	-----	750.43.561		Tip Copper ø 3,0 w/Insert
	750.43.562	-----	-----	750.43.562		Tip Copper ø 3,5 w/Insert
10	787.04.515	-----	-----	787.04.515		Tip Copper ø 1,25
	787.04.512	-----	-----	787.04.512		Tip Copper ø 1,5
	787.04.516	-----	-----	787.04.516		Tip Copper ø 1,75
	787.04.513	-----	-----	787.04.513		Tip Copper ø 2,0
	787.04.514	-----	-----	787.04.514		Tip Copper ø 2,5
10/a	1058.36520.720	1058.36520.720		-----	-----	Gasket for lens
11	LW6.1G.650	-----	-----	LW6.1G.650		Tip Copper ø 3,0
12	LW6.1G.608	-----	-----	LW6.1G.608		Tip Copper ø 3,0 DL Type
	LW6.1G.609	-----	-----	LW6.1G.609		Tip Copper ø 3,5 DL Type
13	LW6.1G.604	-----	-----	LW6.1G.604		Tip Copper ø 1,5
	LW6.1G.605	-----	-----	LW6.1G.605		Tip Copper ø 2,0
	LW6.1G.606	-----	-----	LW6.1G.606		Tip Copper ø 2,5
	LW6.1G.607	-----	-----	LW6.1G.607		Tip Copper ø 3,0

ACB International v.o.f. is in no way affiliated with PRIMA INDUSTRIE®. The parts advertised for sale are not genuine PRIMA INDUSTRIE® parts, but are parts made for and by ACB International v.o.f.. Reference to PRIMA INDUSTRIE® machine and numbers are for your convenience only. We reserve the right to substitute genuine PRIMA INDUSTRIE® parts in place of ACB International v.o.f. parts.

REPLACEMENT PARTS SUITABLE FOR

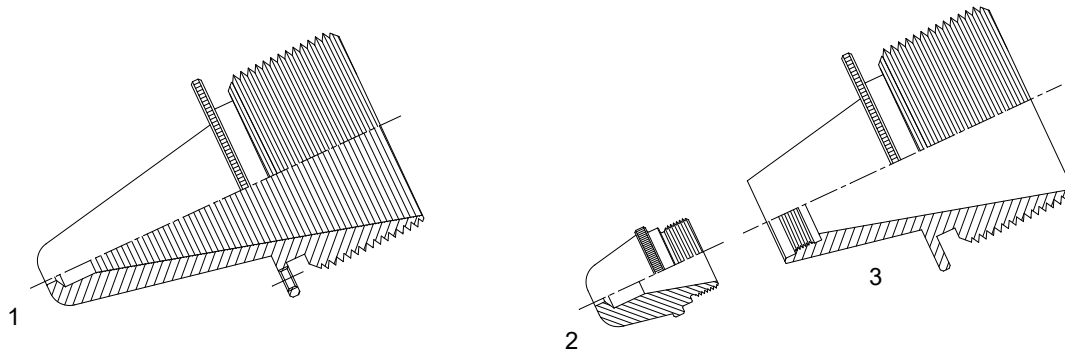
# ACCESSORIES FOR PRIMA INDUSTRIE®

Code std.	Euro	Description
123602 240568/50 10466		<p><b>ACCESSORIES FOR LENSES</b></p> <p>Lens cleaning fluid ml. 250</p> <p>Polish - 50 ml.</p> <p>Lens cleaning paper - (1 package contains 50 pcs. - price is per package)</p>
1058.52542.559 CV2603-3336	On request On request	<p><b>FILTERS</b></p> <p>Filter HONEYWELL AF11S/2A 100 MIC</p> <p>Filter Vacum Pump</p>

ACB International v.o.f. is in no way affiliated with PRIMA INDUSTRIE®. The parts advertised for sale are not genuine PRIMA INDUSTRIE® parts, but are parts made for and by ACB International v.o.f.. Reference to PRIMA INDUSTRIE® machine and numbers are for your convenience only. We reserve the right to substitute genuine PRIMA INDUSTRIE® parts in place of ACB International v.o.f. parts.

**REPLACEMENT PARTS SUITABLE FOR**

**MESSER GRIESHEIM®**



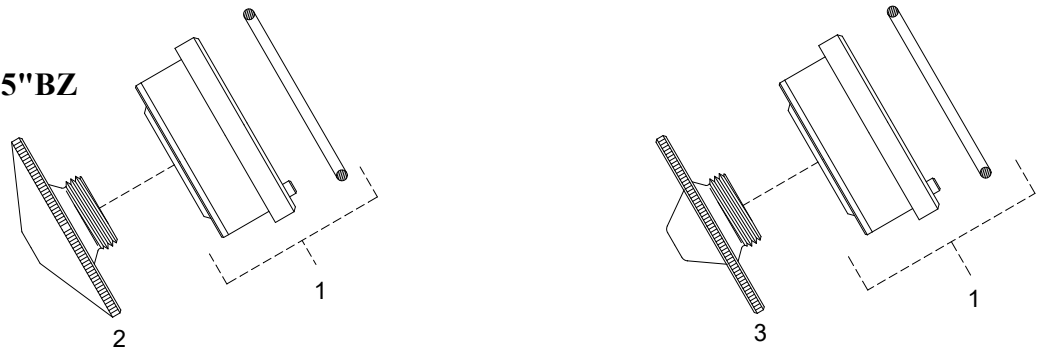
**NOZZLES ARE PACKED IN SINGLE BOXES**

Item	Ref.	Code std.	Euro	Cod. chromed	Euro	Description
1	722.52282	72252282		-----	----	Tip ø 0.8
	722.52281	72252281		-----	----	Tip ø 1.0
	722.52280	72252280		-----	----	Tip ø 1.2
	722.52192	72252192		-----	----	Tip ø 1.4
	722.52190	72252190		-----	----	Tip ø 1.6
	722.52191	72252191		-----	----	Tip ø 1.8
	722.53911	72253911		-----	----	Tip ø 2.0
2		72252262		-----	----	Special tip ø 0.8
		72252261		-----	----	Special tip ø 1.0
		72252260		-----	----	Special tip ø 1.2
		72252272		-----	----	Special tip ø 1.4
		72252271		-----	----	Special tip ø 1.6
		72252270		-----	----	Special tip ø 1.8
3		72252275		-----	----	Special tip ø 2.0
		72252000		-----	----	Special adapter

ACB International v.o.f. is in no way affiliated with MESSER GRIESHEIM®. The parts advertised for sale are not genuine MESSER GRIESHEIM® parts, but are parts made for and by ACB International v.o.f.. Reference to MESSER GRIESHEIM® machine and numbers are for your convenience only. We reserve the right to substitute genuine MESSER GRIESHEIM® parts in place of ACB International v.o.f. parts.

**REPLACEMENT PARTS SUITABLE FOR**

**PRECITEC®**  
**CM2" - CM2" Z**  
**SP 50 - SP 50 Z - 5"B - 5"BZ**

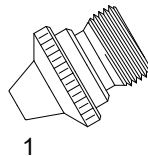


**NOZZLES ARE PACKED IN SINGLE BOXES**

**\* Until sold out**

Item	Ref.	Code std.	Euro	Cod. chromed	Euro	Description
1	P0571-1051-0001	281330/C				Ceramic part KT B2" original
	P0571-1051-0001	000324				Ceramic part KT B2"
2	P0571-291-00010	281599				Tip ø 1.0 DE B2" CON
	P0571-292-00012	281512		281512/C*		Tip ø 1.2 DE B2" CON
	P0571-293-00015	281570		281570/C*		Tip ø 1.5 DE B2" CON
		281518		281518/C*		Tip ø 1.8 DE B2" CON
	P0571-295-00020	281571		-----	-----	Tip ø 2.0 DE B2" CON
	P0571-297-00025	281572		-----	-----	Tip ø 2.5 DE B2" CON
3	P0571-281-00010	281340		281340/C*		Tip ø 1.0 ( B 1.0 )
	P0571-282-00012	281341		-----	-----	Tip ø 1.2 ( B 1.2 )
	P0571-283-00015	281342		281342/C*		Tip ø 1.5 ( B 1.5 )
		281342-18		281342-18/C*		Tip ø 1.8 ( B 1.8 )
	P0571-285-00020	281343		-----	-----	Tip ø 2.0 ( B 2.0 )
	P0571-286-00025	281344		-----	-----	Tip ø 2.5 ( B 2.5 )

**PRECITEC®**  
**DE 1.5" KN TAK**

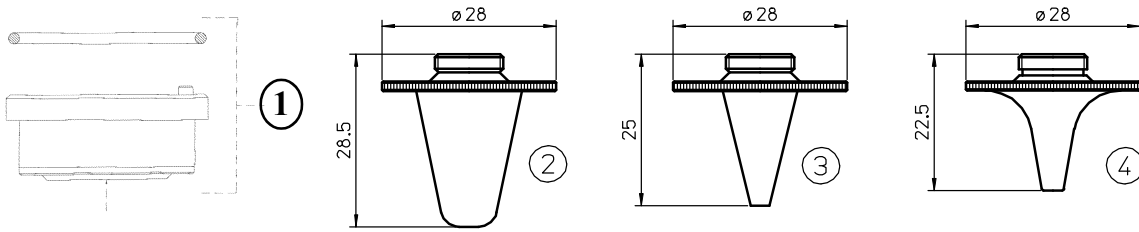


**NOZZLES ARE PACKED IN 10er BOXES**

Item	Ref.	Code std.	Euro	Cod. chromed	Euro	Description
1	P0494-787-00010	P0494-787-00010		-----	-----	Tip ø 1.0
	P0494-788-00012	P0494-788-00012		-----	-----	Tip ø 1.2
	P0494-789-00015	P0494-789-00015		-----	-----	Tip ø 1.5
	P0494-790-00018	P0494-790-00018		-----	-----	Tip ø 1.8
	P0494-791-00020	P0494-791-00020		-----	-----	Tip ø 2.0

REPLACEMENT PARTS SUITABLE FOR

PRECITEC® CS2", CS2" Z

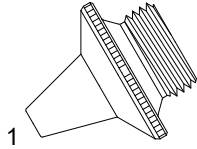


**NOZZLES ARE PACKED IN SINGLE BOXES**

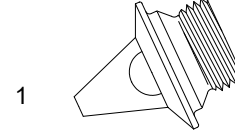
Item	Ref.	Code std.	Euro	Description
1	P0571-1051-0001	281330/C		Ceramic part KT B2" <b>original</b> Precitec®
	P0571-1051-0001	000324		Ceramic part KT B2" our production
2	P0573-561-00010	P0573-561-00010		Nozzle $\phi$ 1,0 DE CS2" 1,0/MS
	P0573-562-00012	P0573-562-00012		Nozzle $\phi$ 1,2 DE CS2" 1,2/MS
	P0573-563-00015	P0573-563-00015		Nozzle $\phi$ 1,5 DE CS2" 1,5/MS
	P0573-563-00018	P0573-563-00018		Nozzle $\phi$ 1,8 DE CS2" 1,8/MS
	P0573-564-00020	P0573-564-00020		Nozzle $\phi$ 2,0 DE CS2" 2,0/MS
	P0573-566-00023	P0573-566-00023		Nozzle $\phi$ 2,3 DE CS2" 2,3/MS
	P0573-566-00025	P0573-566-00025		Nozzle $\phi$ 2,5 DE CS2" 2,5/MS
	P0573-566-00030	P0573-566-00030		Nozzle $\phi$ 3,0 DE CS2" 3,0/MS
3	-----	280150		Nozzle $\phi$ 1,0
	-----	280151		Nozzle $\phi$ 1,5
	-----	280152		Nozzle $\phi$ 1,8
	-----	280153		Nozzle $\phi$ 2,0
4	P0578-0411-00010	280005		Nozzle Radius $\phi$ 1,0
	-----	280006		Nozzle Radius $\phi$ 1,2
	P0578-0413-00015	280007		Nozzle Radius $\phi$ 1,5
	P0578-0414-00018	280008		Nozzle Radius $\phi$ 1,8
	P0415-0411-00020	280009		Nozzle Radius $\phi$ 2,0
	P0578-0415-00025	280010		Nozzle Radius $\phi$ 2,5

REPLACEMENT PARTS SUITABLE FOR

**PRECITEC®  
YR30**



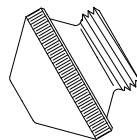
**PRECITEC®  
YK52**



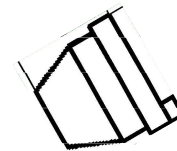
**NOZZLES ARE PACKED IN 10er BOXES**

Item	Ref.	Code std.	Euro	Description
1	281813-06	P0589-424-00006		Nozzle Electrode $\varnothing$ 0.6
	281813	P0589-424-00008		Nozzle Electrode $\varnothing$ 0.8
	281500	P0587-732-00010		Nozzle Electrode $\varnothing$ 1.0
		P0587-732-00012		Nozzle Electrode $\varnothing$ 1.2
	281499	P0587-731-00015		Nozzle Electrode $\varnothing$ 1.5
		P0587-731-00020		Nozzle Electrode $\varnothing$ 2.0
2	281497	281497		Nozzle Electrode $\varnothing$ 0.8 Until sold out
	P0587-722-00010	281498		Nozzle Electrode $\varnothing$ 1.0
	P0587-723-00012	281499		Nozzle Electrode $\varnothing$ 1.2
	P0587-721-00015	281497.15		Nozzle Electrode $\varnothing$ 1.5
	P0587-721-00018	281516		Nozzle Electrode $\varnothing$ 1.8
	P0587-771-00020	281567		Nozzle Electrode $\varnothing$ 2.0
	P0587-771-00025	281568		Nozzle Electrode $\varnothing$ 2.5

**PRECITEC® 2.5" CM/MG - 5" HM/MG - 2.5" SM/MG - 3.75" H/MG**  
**MITSUBISHI® W220**  
**MITSUBISHI®**



1



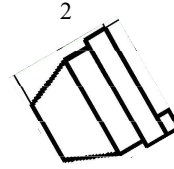
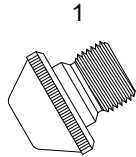
2

**NOZZLES ARE PACKED IN 10er BOXES**

Item	Ref.	Code std.	Euro	Description
1	P0492-441-00008	280013		(Ref. Mitsubishi W223-08) Tip C/S $\varnothing$ 0.8
	P0492-442-00010	280014		(Ref. Mitsubishi W223-08) Tip C/S $\varnothing$ 1.0
	P0492-443-00012	280015		(Ref. Mitsubishi W223-08) Tip C/S $\varnothing$ 1.2
	P0492-444-00015	280016		(Ref. Mitsubishi W223-08) Tip C/S $\varnothing$ 1.5
		280017		(Ref. Mitsubishi W223-08) Tip C/S $\varnothing$ 1.7
	P0492-445-00020	280937		(Ref. Mitsubishi W223-08) Tip C/S $\varnothing$ 2.0
		280938		(Ref. Mitsubishi W223-08) Tip C/S $\varnothing$ 2.3
	P0492-446-00025	W225.25		(Ref. Mitsubishi W223-08) Tip C/S $\varnothing$ 2.5 ( 281791 )
		W226		(Ref. Mitsubishi W223-08) Tip C/S $\varnothing$ 3.0
		W226.35		(Ref. Mitsubishi W223-08) Tip C/S $\varnothing$ 3.5
2	P0494-752-00001	280408	on request	Nozzle holder <b>original</b> Precitec®

REPLACEMENT PARTS SUITABLE FOR

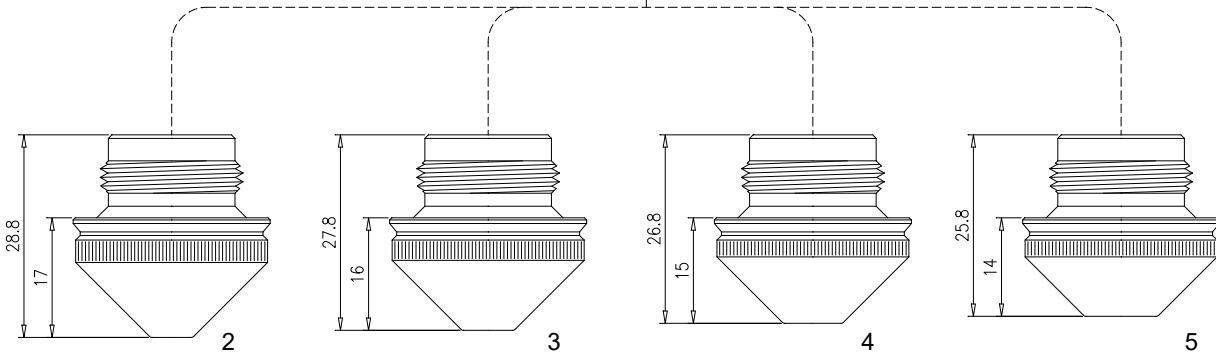
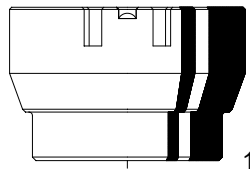
**PRECITEC®  
5" KN/MG**



**NOZZLES ARE PACKED IN 10er BOXES**

Item	Ref.	Code std.	Euro	Cod. chromed	Euro	Description
1	P0494-853-00010	280551		-----	----	Tip ø 1.0 ( KN 1.0 )
	P0494-854-00012	280552		-----	----	Tip ø 1.2 ( KN 1.2 )
	P0494-855-00015	280553		-----	----	Tip ø 1.5 ( KN 1.5 )
		280554		-----	----	Tip ø 2.0 ( KN 2.0 )
2	P0494-752-00001	280408	on request	-----	----	Nozzle holder <b>original</b> Precitec®

**PRECITEC® - (WEIDMÜLLER®)  
5" DXN/MG - 5" DL/MG**



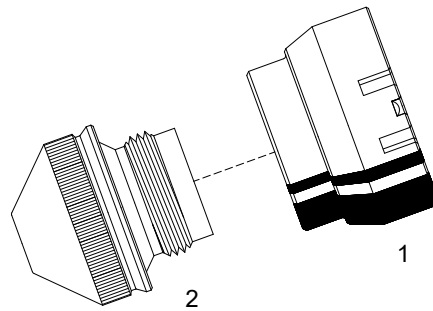
**NOZZLES ARE PACKED IN SINGLE BOXES**

Item	Ref.	Code std.	Euro	Cod. chromed	Euro	Description
1	P0497-605-00001	280565	on request	-----	----	Ceramic part 5" DX N <b>original</b> Precitec®
	P0380-211-00001	281146	on request	-----	----	Insulation part 5" DL <b>original</b> Precitec®
	P0380-211-00001	281146/A		-----	----	Insulation part 5" DL
2	280029	280029		-----	----	Tip ø 1.0
	280030	280030		-----	----	Tip ø 1.2
3	280028	280028		-----	----	Tip ø 1.5
4	281384	281384		-----	----	Tip ø 1.7
	280027	280027		-----	----	Tip ø 2.0
5	280026	280026		-----	----	Tip ø 2.5
	280025	280025		-----	----	Tip ø 3.0

ACB International v.o.f. is in no way affiliated with PRECITEC® WEIDMÜLLER®. The parts advertised for sale are not genuine PRECITEC® WEIDMÜLLER® parts, but are parts made for and by ACB International v.o.f.. Reference to PRECITEC® WEIDMÜLLER® machine and numbers are for your convenience only. We reserve the right to substitute genuine PRECITEC® WEIDMÜLLER® parts in place of ACB International v.o.f. parts.

REPLACEMENT PARTS SUITABLE FOR

**PRECITEC® 5" DL**

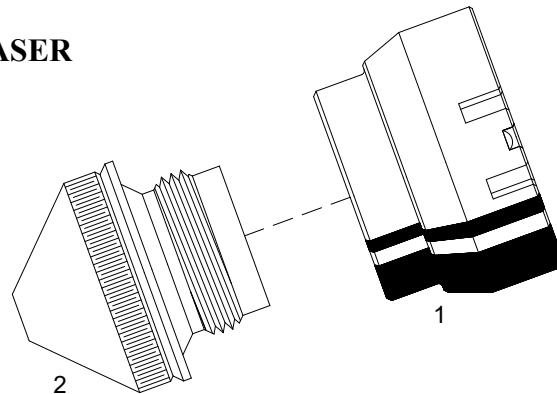


**NOZZLES ARE PACKED IN SINGLE BOXES**

Item	Ref.	Code std.	Euro	Cod. chromed	Euro	Description
1	P0380-211-00001	281146	on request	-----	----	Insulation part 5" DL <b>original</b> Precitec®
	P0380-211-00001	281146/A		-----	----	Insulation part 5" DL <b>our production</b>
2	P0380-251-00010	281253		-----	----	Tip ø 1.0 DE M 1.5" DL (until sold out)
	P0380-252-00012	281254		-----	----	Tip ø 1.2 DE M 1.5" DL
	P0380-254-00020	281270		-----	----	Tip ø 2.0 DE M 1.5" DL (until sold out)
	P0380-255-00025	281271		-----	----	Tip ø 2.5 DE M 1.5" DL (until sold out)

**SALVAGNINI® 5" DL**

**SALVAGNINI® FIBER LASER**



**NOZZLES ARE PACKED IN SINGLE BOXES**

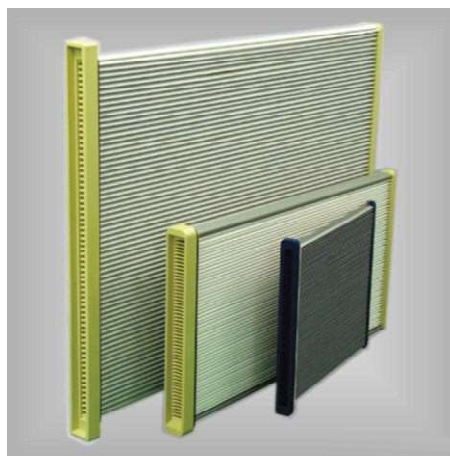
Item	Ref.	Code std.	Euro	Cod. chromed	Euro	Description
-	<b>3163040007</b>	<b>3163040007</b>				<b>Corning 7980 of windows FIBER laser ø 32 mm. Thk. 6,35 mm.</b>
1	P0380-211-00001	281146	on request	-----	----	Insulation part 5" DL <b>original</b> Precitec®
	P0380-211-00001	281146/A		-----	----	Insulation part 5" DL <b>our production</b>
2	141300A4	141300A4		141300A4/C		Tip ø 0.75
	141301A4	141301A4		141301A4/C		Tip ø 1.0
	146330A4	146330A4		146330A4/C		Tip ø 1.25
	146329A4	140497A4		140497A4/C		Tip ø 1.5
	146328A4	140498A4		140498A4/C		Tip ø 1.75
	146327A4	140302A4		140302A4/C		Tip ø 2.0
	146326A4	146326A4		146326A4/C		Tip ø 2,25
	146325A4	140303A4		140303A4		Tip ø 2,50
	146324A4	140305A4		140305A4/C		Tip ø 2,75
	146323A4	140304A4		140304A4/C		Tip ø 3.0

ACB International v.o.f. is in no way affiliated with PRECITEC® SALVAGNINI®. The parts advertised for sale are not genuine PRECITEC® SALVAGNINI® parts, but are parts made for and by ACB International v.o.f. Reference to PRECITEC® SALVAGNINI® machine and numbers are for your convenience only. We reserve the right to substitute genuine PRECITEC® SALVAGNINI® parts in place of ACB International v.o.f. parts.



REPLACEMENT PARTS SUITABLE FOR

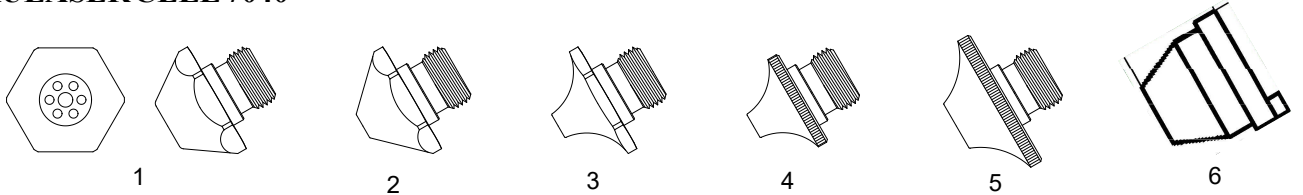
# ACCESSORIES FOR TRUMPF®



Code std.	Euro	Description
		<b>ACCESSORIES FOR LENSES</b>
123602		Lens cleaning liquid - 250 ml.
240568/50		Polish - 50 ml.
10466		Lens cleaning paper - (1 package contains 50 pcs. - price is per package)
		<b>FILTERS</b>
KELLER	on request	Filters Keller® type
146152		H2O filter
123674		Air filter FFP 03/10 (125106 - 0377004)
123675		Air filter SMFP 03/05-SMFP 03/10S (125706)
123676		Air filter AKP 04/20-S-AKP 03/10 (125816 - 0377006)
092380		Air Filter DX
092381		Air Filter BX
092379		Air Filter CI
139809	on request	Compact Filter for laser Trumpf® Typ 8.1, length 600 mm, 60 pleats, pleating height ca. 16 mm, included sealingrings, <b>Package of 8 filters</b>
345064	on request	Compact filter for laser Trumpf® Typ 18.0 , 52 pleats, pleating height ca. 24 mm, included sealingrings, dimension 556x74x 1045 , ( HANDTE® type )
		<b>TRIODE</b>
RS3021CJ	on request	Water cooled triode OEM max 5 Kw
RS2048CJC	on request	Water cooled triode OEM between 5 Kw e 7 Kw
RD20ZM		Sacrificial anode for triode - 2 pcs. complete with set of tubes
		<b>VARIOUS</b>
035202		Brush for nozzles

REPLACEMENT PARTS SUITABLE FOR

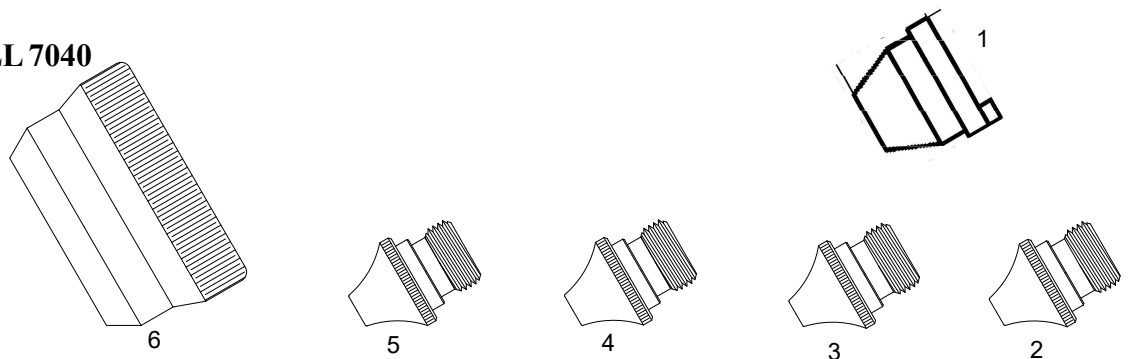
**TRUMPF®**  
**TLC 105**  
**TRULASERCELL 7040**



**NOZZLES ARE PACKED IN 10er BOXES**

Item	Ref.	Code std.	Euro	Cod. chromed	Euro	Description
1	----- 212334 216199 225213 126156 237364	212334.08 212334 216199 225213 126156 237364		212334.08/C 212334/C 216199/C 225213/C 126156/C -----		Tip ø 0.8 HP Tip ø 1.0 HP Tip ø 1.4 HP Tip ø 1.7 HP Tip ø 2.3 HP Tip ø 1.0 Shower
2	226939 226940 227144 227145	226939 226940 227144 227145		226939/C 226940/C 227144/C 227145/C		Tip ø 1.0 Std. Tip ø 1.4 Std. Tip ø 1.7 Tip ø 2.3
3	----- ----- -----	135320/S 135318/S 126157/S		135320/S/C 135318/S/C 126157/S/C		Tip ø 1.0 Tip ø 1.4 HD Tip ø 1.7 HD
4	135320 135318 126157	135320 135318 126157		135320/C 135318/C 126157/C		Tip ø 1.0 HD Tip ø 1.4 HD Tip ø 1.7 HD
5	913803	913803		-----	----	Tip ø 2.3 HD
6	P0494-752-00001	280408	On request	-----	----	Nozzle holder <b>original</b> Precitec®
-	0936678	0936678		-----	----	Nozzle holder <b>original</b> Trumpf®
	0936678	0936678/A		-----	----	Nozzle holder <b>our production</b>

**TRUMPF®**  
**TLC 105**  
**TRULASERCELL 7040**



**NOZZLES ARE PACKED IN 10er BOXES**

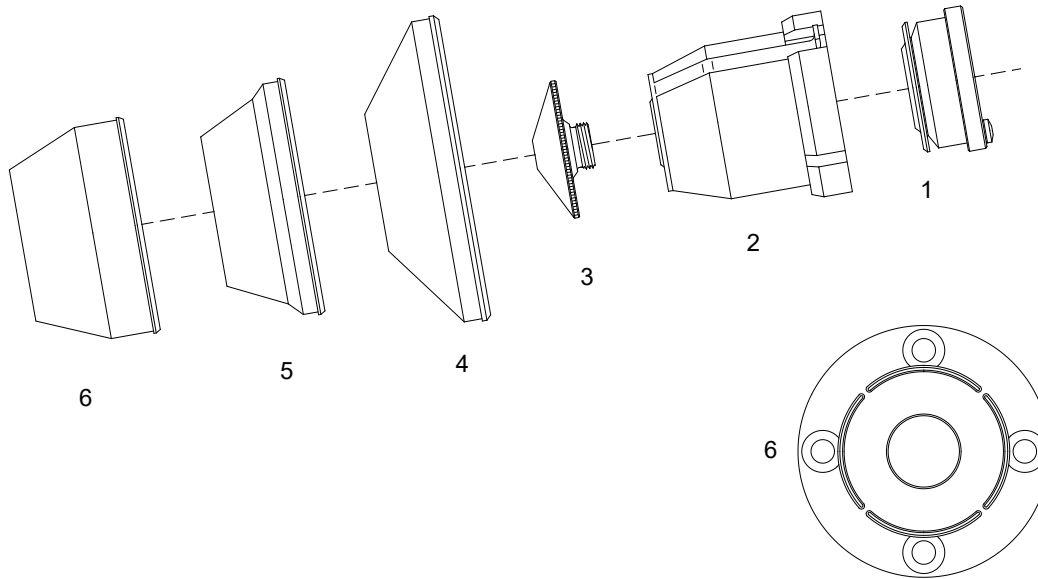
Item	Ref.	Code std.	Euro	Cod. chromed	Euro	Description
1	0936678 0936678	0936678 0936678/A		----- -----	----	Nozzle holder <b>original</b> Trumpf® Nozzle holder <b>our production</b>
2	0913799 0913800	0913799 0913800		0913799/C 0913800/C		Tip ø 0.8 Tip ø 1.0
3	0913801	0913801		0913801/C		Tip ø 1.4
4	0937988	0937988		0937988/C		Tip ø 1.7
5	0937989	0937989		0937989/C		Tip ø 2.3
6	0913965	0913965		-----	----	Retainer

ACB International v.o.f. is in no way affiliated with TRUMPF®. The parts advertised for sale are not genuine TRUMPF® parts, but are parts made for and by ACB International v.o.f.. Reference to TRUMPF® machine and numbers are for your convenience only. We reserve the right to substitute genuine TRUMPF® parts in place of ACB International v.o.f. parts.

REPLACEMENT PARTS SUITABLE FOR

TRUMPF®

L 2503E - L2530 - L 3003E - L 4003E - L 3030 - L 4030 / L 6030 / TC 600



**NOZZLES ARE PACKED IN 10er BOXES**

Item	Ref.	Code std.	Euro	Cod. Chromed	Euro	Description
1	243839	000321		-----	----	Nozzle holder <b>our production</b>
2	260432	260432		-----	----	Nozzle holder <b>original Trumf®</b>
	260432	000322		-----	----	Nozzle holder <b>our production</b>
3	124561	124561		352280		Tip ø 0.8
	124562	124562		352281		Tip ø 1.0
	966809	966809		352282		Tip ø 1.2
	237500	237500		352288		Tip ø 1.5
	237500.20	237500.20		352282.20		Tip ø 2.0
	124565	124565		352289		Tip ø 3.0
	237497	237497		352283		Tip ø 1.4 HD cylindrical
	237497/S	237497/S		352283/S		Tip ø 1.4 HD conical
	237501	237501		352284		Tip ø 1.7 HD
	1253211	237503		352287		Tip ø 2.0 HD ( ref. chromed 1253212 )
	126933	126933		352285		Tip ø 2.3 HD
	126935/S	126935/S		352290		Tip ø 2.5 HD
	942742	942742		352286		Tip ø 2.7 HD
	237504	237504		352291		Tip ø 3.0 HD
4	225286	225286		-----	----	Teflon® cover
5	254496	254496		-----	----	Teflon® cover
6	955826	955826		-----	----	Teflon® cover (ex 256153)
	955826	955826/N		-----	----	Teflon® cover Black (ex 256153)
7	234485	234485		-----	----	Break away

## REPLACEMENT PARTS SUITABLE FOR

TRUMPF® L 5030 - L 5040-L5060 ( 6/7 KW )  
 TRUMPF® FIBER LASER



**NOZZLES ARE PACKED IN 10er BOXES**



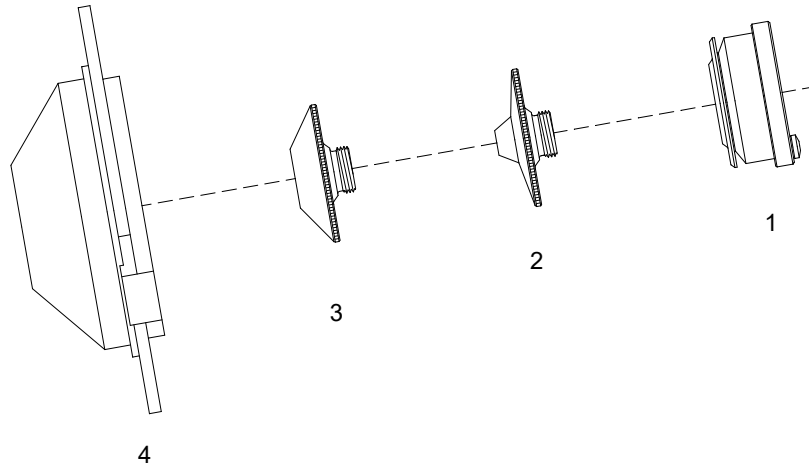
**NOZZLES ARE PACKED IN SINGLE BOXES**

Item	Ref.	Code std.	Euro	Cod. chromed	Euro	Description
-	1614767	1614767		-----	----	<b>Protective window ø 34 mm. Thk. 5 mm. Fiber Laser</b>
-	1349171	1349171/A		-----	----	Nozzle holder <b>our production</b>
-	1755673	1755673		-----	----	Nozzle holder M12 <b>original</b> Trumpf.
1	1324858	1324858		1324858/C		Nozzle ø 0,8
	1324860	1324860		1324860/C		Nozzle ø 1,0
	1324861	1324861		1324861/C		Nozzle ø 1,2
	1324863	1324863		1324863/C		Nozzle ø 1,4
	1324864	1324864		1324864/C		Nozzle ø 1,7
2	1324865	1324865		1324865/C		Nozzle ø 2,0
	1354866	1324866		1324866/C		Nozzle ø 2,3
	1324867	1324867		1324867/C		Nozzle ø 2,7
4	1373324	1373324		-----	----	Nozzle ø 0,8
3	1373325	1373325		-----	----	Nozzle ø 1,0
	1373326	1373326		-----	----	Nozzle ø 1,2
	1373327	1373327		-----	----	Nozzle ø 1,4
	1373328	1373328		-----	----	Nozzle ø 1,7
4	1373329	1373329		-----	----	Nozzle ø 2,0
	1373330	1373330		-----	----	Nozzle ø 2,3
	1373331	1373331		-----	----	Nozzle ø 2,7
N/S	1774018	1774018		-----	----	Nozzle EFL ø 1,4
	1774020	1774020		-----	----	Nozzle EFL ø 2,0
	1774092	1774092		-----	----	Nozzle EFL ø 2,3

REPLACEMENT PARTS SUITABLE FOR

TRUMPF®

L 1003 - L 2503 - L 3003 - L 4003 - 600L



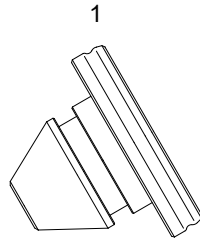
**NOZZLES ARE PACKED IN 10er BOXES**

Item	Ref.	Code std.	Euro	Cod. chromed	Euro	Description
1	243839	000321				Nozzle holder <b>our production</b>
2	215780	215780		-----	----	Tip ø 0.8
	087658	087658		-----	----	Tip ø 1.0
	088894	088894		-----	----	Tip ø 1.4 HD
	217867	217867		-----	----	Tip ø 1.7 HD
3	088893	088893		-----	----	Tip ø 1.5
	221781	221781		-----	----	Tip ø 2.0
	235592	235592		-----	----	Tip ø 3.0
4	216065	216065		-----	----	Teflon® cover

ACB International v.o.f. is in no way affiliated with TRUMPF®. The parts advertised for sale are not genuine TRUMPF® parts, but are parts made for and by ACB International v.o.f.. Reference to TRUMPF® machine and numbers are for your convenience only. We reserve the right to substitute genuine TRUMPF® parts in place of ACB International v.o.f. parts.

**REPLACEMENT PARTS SUITABLE FOR**

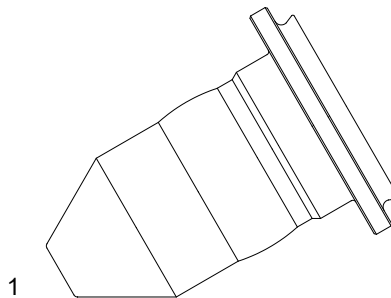
**TRUMPF®  
TC 240  
TC 260**



**NOZZLES ARE PACKED IN SINGLE BOXES**

Item	Ref.	Code std.	Euro	Cod. chromed	Euro	Description
1	202952	202952		-----	----	Tip ø 0.8
	218969	218969		-----	----	Tip ø 1.0
	202952/12	202952/12		-----	----	Tip ø 1.2
	209402	209402		-----	----	Tip ø 1.4 HD
	217953	217953		-----	----	Tip ø 1.7 HD
	216086	216086		-----	----	Cap nut threads brass

**TRUMPF®  
TC 300**



**NOZZLES ARE PACKED IN SINGLE BOXES**

Item	Ref.	Code std.	Euro	Cod. chromed	Euro	Description
1	060653-08	060653/08		-----	----	Tip ø 0.8
	060653	060653		-----	----	Tip ø 1.0
	060653-14	060653/14		-----	----	Tip ø 1.4
	211127	211127		-----	----	Tip ø 1.4 HD
	212409	212409		-----	----	Tip ø 1.7 HD